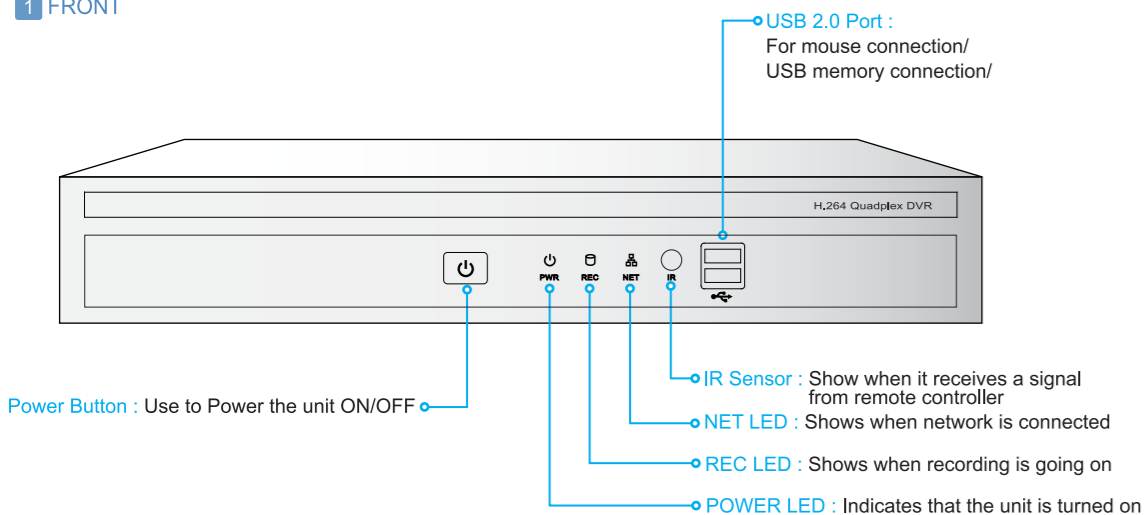


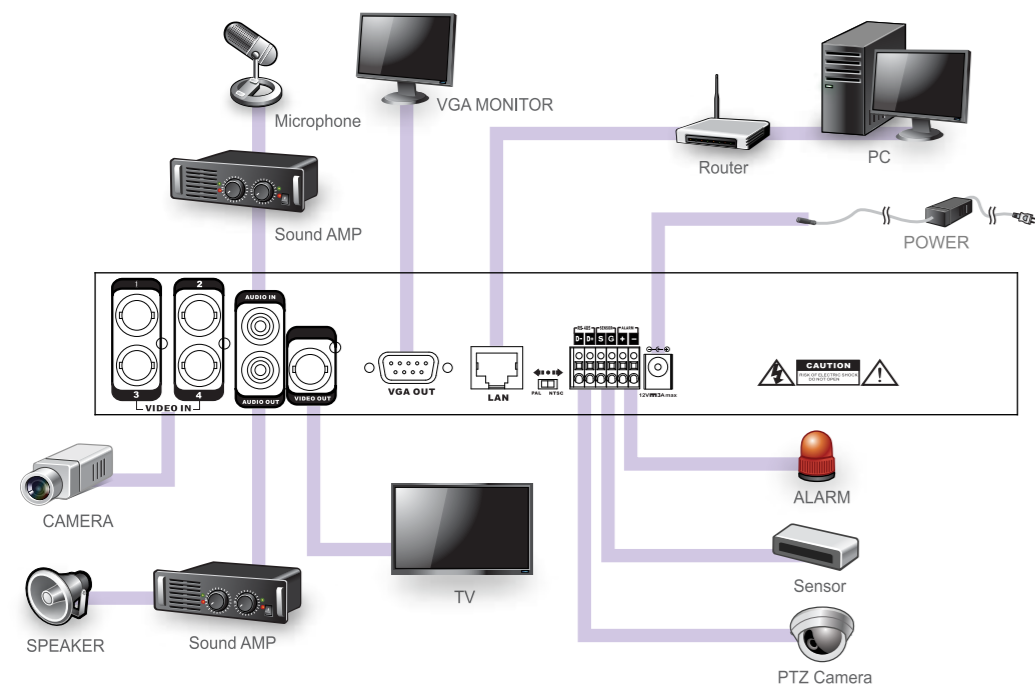
Trium SH3104 Hardware Quick Start Guide

1. SYSTEM COMPOSITION

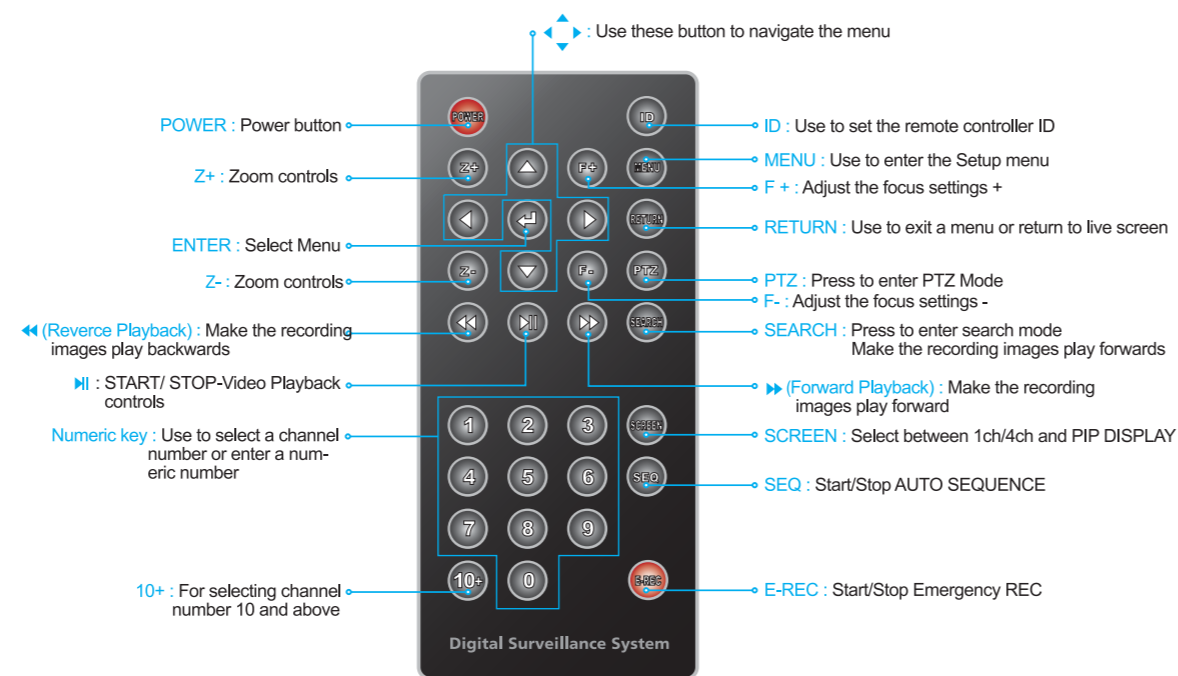
1 FRONT



2 REAR

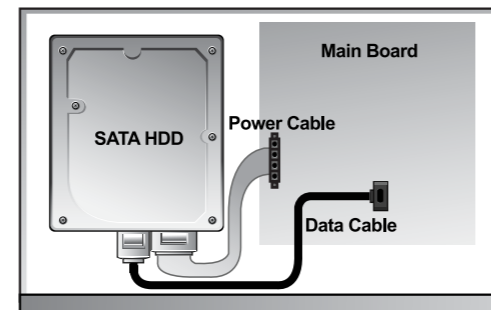


2. REMOTE CONTROLLER



3. HDD & CMOS BATTERY

1 HDD Installation



- Remove the top lid screws and separate the Top lid from the case.
- Install the HDD on the bottom of case with screw which are in accessory box
- Connect the power cable and data cable
- Reassemble the top Lid on the DVR

Caution Before you install the HDD, you should check the compatible HDD list in the product manual

Warning We do not guarantee any HDD faults that occur from user misuse or external environment.

Trium SH3104 Software Quick Start Guide

Factory setting (Default Setting)

ID : admin Resolution : 352 x 240
PASSWORD : None Frame : 30 fps
Type of recording : continuous

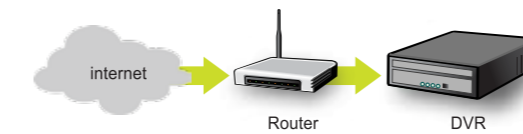
1. Network setting

1 DDNS registration

If you want to connect the DVR to internet to view camera images, playback or DVR setting remotely, one method is to register the DDNS service. This does not require the user to apply for Static IP to their ISP.

2 DVR installation for networking

With Router(Dynamic IP)



Without Router(ADSL/Static IP)



3 DVR setting for networking

Network Menu :
Pop-up menu > Settings > Network > Network setting

With Router(Dynamic IP)

Not indispensable
DVR name : DVR name what you want to use

Indispensable
Network type : Select Dynamic IP

Information
Client setting : Information about network PORT

Disregard
IP address, Subnet mask, Gateway, DNS server, PPPoE ID, PPPoE PASSWORD

* These item is automatically set when you select the Network type to Dynamic IP

Indispensable
DDNS server : Select the DDNS service you use

Not indispensable
DDNS name : Enter the DDNS name

Indispensable
ID : Enter the DDNS website ID

Indispensable
PASSWORD : Enter the DDNS website PW

Indispensable
DDNS check : DDNS address testing

Without Router(ADSL/Static IP)

Not indispensable
DVR name : DVR name what you want to use

Indispensable
Network type : Static IP or ADSL/VDSL

Indispensable
Static IP : Enter the information of IP address, Subnet mask, Gateway, DNS server

Indispensable
ADSL/VDSL : Enter the PPPoE ID and PPPoE password

Not indispensable
Register the DDNS information :

When you install the DVR with router, you need Port-Forwarding on your router.
* How to set Port-Forwarding on the router, please check router manual or ask to router manufacturer
* You can see the port information on Client setting menu.

2. Quick Setup(Instant setting)

You can set the resolution, type of recording, recording frame rate easily on Quick setup menu.

1 HOW TO ENTER THE QUICK SETUP MENU

Use Mouse

- Press the "TOOL" button on Tool Menu Bar and select "SETUP".
- Select the "Quick setup" button which is the top of right hand side on the screen.

Use remote controller

- Mouse right click
- Select the setup menu
- Select the "Quick setup" button which is the top of right hand side on the screen.

Using remote controller

- Select the setup menu on the pop-up menu
- Select the "Quick setup" button which is the top of right hand side on the screen.

2 QUICK SETUP

- Resolution : setup the resolution of all channel
- Recording mode : Select the recording mode type
- Average days to record : Show the period to record which when use present setting.
- Recording rate : Set the recording frame of all channel.
- Recording quality : Set the image quality of all channel.

3. Basic Function

1 Search

Entering the search menu

Use Mouse

- Press the "TOOL" button on Tool Menu Bar and select "SEARCH".

Use remote controller

- Mouse right click
- Select the search menu

Use remote controller

- Select the setup menu on the pop-up menu and select "SEARCH"
- Press the "Search" Button on the remote controller

Select the date for searching

- Select the calendar search on the main search menu.
- Select the date you want to search or select any date by manual input
- Select the date you want search and select the exact time by time bar. (you can move the time-line by mouse, remote controller, jog-shuttle)
- Press The Play Button to playback

2 Backup

Before you backup the data, please make sure your USB memory is inserted correctly on the DVR

Entering Back-up mode

Use Mouse

- Press the "TOOL" button on Tool Menu Bar and select "BACKUP".

- Mouse right click
- Select the backup menu

Use remote controller

Select the setup menu on the pop-up menu and select "BACKUP"

Back up

Select the date for back-up

- Target : select the back-up device
- FROM/TO : Select the date and time.
- CAMERA : select the camera to back up

*Before you start the back-up process, please check the Required space & free space on the screen.