

# Clebo MT/QT Series

## Indoor&Outdoor Mini Speed Dome Camera



### Key Feature

#### Fast & Silent Motion

- Fast & Silent Motion
- No Accumulative Error with Preset Function
- Shortest Path by Vector Drive Technology
- High Accuracy with Micro Stepping Control Technology
- Smooth Motion at High Zoom Magnification Mode
- Lightening Speed (MAX. 360°/sec) & Smooth Manual Speed (MIN. 0.25°/sec)
- Lowest Noise & Lowest Vibration
- Endless 360° Pan Rotation

#### Superior Zoom Camera

- X100 Zoom Control (Optical X10, Digital X10)
- Day & Night (IR Cut Filter)
- SNR (Super Noise Reduction)

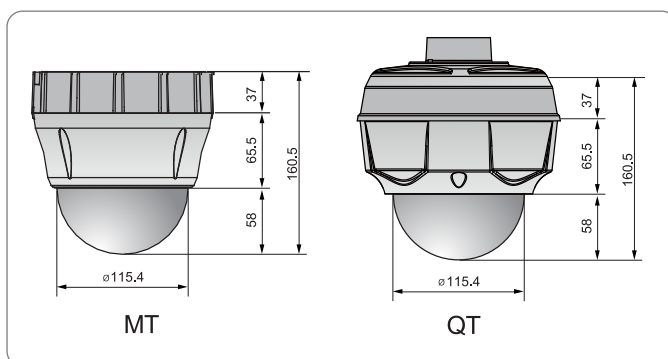
### Specification

Camera	Mini Indoor Speed Dome MT-10TP/TN	Mini Outdoor Speed Dome QT-10TP/TN
Image Device (CCD)	1/4" Interline Transfer CCD	
Effective Pixels	NTSC: 768(H)x494(V) 380K / PAL: 752(H)x582(V) 440K	
S/N Ratio	50 dB (AGC Off)	
Zoom	x10 Optical Zoom, x10 Digital Zoom	
Focal Length	F1.8, f=3.8-38mm	
Min. Illumination	0.7 Lux (Color) / 0.02 Lux (B/W), 50 IRE	0.7 Lux (Color) / 0.02 Lux (B/W), 50 IRE
Day & Night	Auto / Day / Night (IRC)	
Focus Range	Auto / Manual / Semi-Auto	
Iris	Auto / Manual	
Shutter Speed	x128 ~ 1/120000sec	x256 ~ 1/120000 sec
AGC	Normal / High / Off	Low / Middle / High / Manual / Off
White Balance	Auto / Manual (Red, Blue Gain Adjustable)	
BLC	Low / Middle / High / Off	
Flickerless	Selectable	
Noise Reduction	Low / Middle / High / Off	
Privacy Mask	4 Zones	
H.Resolution	500TV Line (Color) / 570 TV Line (BW)	
<b>Pan/Tilt</b>		
Travel Range	Pan : 360°(Endless), Tilt : 180° (Auto-Flip), 90° (Normal)	
Speed	Preset	360°/sec
	Jog	0.05 ~ 360°/sec (Proportional to Zoom)
	Swing	1~180°/sec
Preset	127 Presets	
Pattern	4 Patterns (1200 command/Pattern)	
Swing	8 Swings	
Group	8 Groups (20 Actions/Group)	
<b>Communication</b>		
Type	RS-485	
PTZ Protocol	Pelco-D, Pelco-P Selectable	
<b>Sensor/ Alarm</b>		
Sensor	4 Zones	
<b>Physical</b>		
Dimension	Ø115 mm / 4.5"	
Weight	Wall	Approx. 2.1Kgs
	Ceiling	Approx. 1.5Kgs
Material	Aluminum	
Rated Power	DC12V, 0.8A	DC12V, 3A
Waterproof	-	IP67
Fan	-	Always ON
Heater	-	Operation start from Internal Temperature 10°C
Operation Temperature	0°C ~ 40°C / 32°F ~ 104°F	-10°C ~ 50°C / 14°F ~ 122°F

### Powerful Functions

- Independent Preset Characteristic Setup (AE, WB and etc.)
- 128 Preset Positions with Alphanumeric Labels
- 4 Pattern, 8 Swing and 8 Group Functions
- 4 Privacy Zone (Spherical Coordinates)
- System Image Flip by Installation Type
- Auto Flip, Auto Parking, Power-up Action
- Frame Freeze Function
- On-Screen Display On/Off
- Built-in Sensor In/Out Function (4 In)
- Small Size / Vandal-Proof(Dome Cover:PC/Housing & Accessories:AL)

### Dimension



### Accessory

