

Clebo Clebo M Ton-10TP/TN

D1 IP Speed Dome Camera



About

Integrated with HD CCTV technology as well as IP, Clebo PM Megapixel cameras run fast, clear data streams through existing coaxial lines. Plug-and-play resolution upgrade, true HDTV live view, real PTZ control (no delay) and not packetable latency issues makes Trium's PM line a clear, reliable security upgrade.

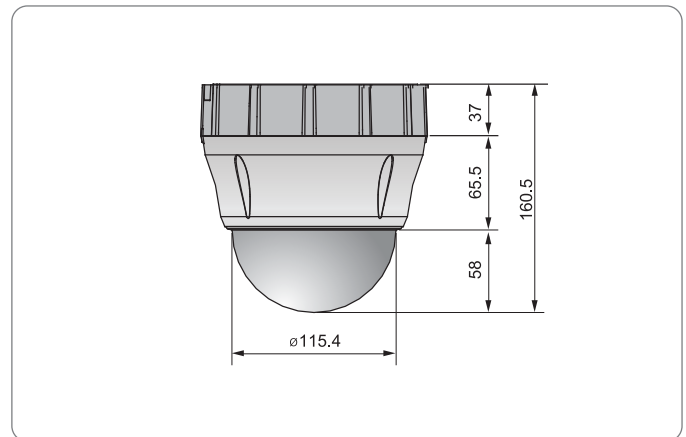
Key Feature

- Enhanced H.264 Compression
- Smooth 360°/sec. Speed Dome
- 10X Optical and 10X Digital
- Dual-Streaming Technology
- Indoor/Outdoor Models
- Precision PTZ Motion
- Vandal Resistant Dome
- Day/Night Capable (IR Cut Filter)

Specification

Camera		Clebo M Ton-10TP/TN
Image Device (CCD)	1/4" Interline Transfer CCD	
Effective Pixels	380K Pixel [768(H) x 494(V)]	
S/N Ratio	50dB (AGC off)	
Zoom	10x optical & 10x Digital Zoom	
Focal length	F1.8, f=3.8-38mm	
Min. Illumination	*0.7Lux(Color) / 0.02Lux(B/W), 50IRE*	
Day & Night (ICR)	Auto / Day / Night (IR Cut Filter)	
Focus Range	Auto / Manual / Semi-Auto	
Iris	Auto / Manual	
Shutter Speed	x128 ~ 1/120000sec	
AGC	Normal / High / Off	
White Balance	Auto / Manual (Red, Blue Gain Adjustable)	
BLC	Low / Middle / High / Off	
Privacy Mark	4 Marks (Spherical Coordinate)	
Video		
Standards	Main Stream : H.264HP/IMPEG4SP/MJPEG, Secondary Stream : H.264HP / MPEG4SP	
Output	1 BNC (CVBS)	
Resolution	704x480/30fps, 704x240/30fps, 352x240/30fps	
Frame Rate	1 ~ 30 fps	
Bit Rate	30Kbps ~ 4Mbps	
Audio		
Algorithm	G.711	
Input	1 Line - In	
Output	1 Line - Out	
Sample Rate	G.711 : 8 KHz	
Network		
Interface	Ethernet 10/100 Base-T (RJ-45)	
Protocol	TCP/IP, UDP, Multicast, DHCP, SMTP, HTTP, RTP, RTSP, ONVIF V1.02	
Pan/Tilt		
Travel Range	Pan : 360°(Endless), Tilt : 180°	
Speed	Preset	360°/sec
	Jog	0.05 ~ 360°/sec (Proportional to Zoom)
	Swing	1° ~ 180°/sec
Preset	127 Presets	
Pattern	4 Patterns (1200 command/Pattern)	
Swing	8 Swings	
Group	8 Groups (20 Actions/Group)	
Communication		
Type	RS-485	
PTZ Protocol	Pelco-D, Pelco-P Selectable	
Sensor/ Alarm		
Sensor	3 Inputs, Photo-Coupler Input	
IP Reset Button	Yes	
Physical		
Mount Accessory	Wall Mount or Ceiling Mount, Sun-shield	
Dimension	Dome	ø115 mm / 4.5"
Weight	Wall	Approx 2.1kgs
	Ceiling	Approx 1.5kgs
Material	Dome	Polycarbonate
	Internal	Polycarbonate, ABS
	External	Aluminum
Rated Power	DC12V, 0.8A	
Operation Temperature	0°C ~ 40°C / 32°F ~ 104°F	

Dimension



Accessory

