

NetSafe HVR H016/H032

Hybrid Digital Video Recorder



About

The powerful hybrid DVR able to accept both traditional analog and IP based devices at once. It provides Netsafe DVR's strong and reliable functionality. It also supports a maximum of 16-analog and 8-IP channels. Though the network, you can monitor and control/manage the DVR anytime and any where

Specification

Hybrid DVR		
General	HVR-H032	HVR-H016
Video Format	NTSC/PAL	
Video Input	Up to 32CHs(Analog) / Up to 8 IP CHs Up to 16CHs(Analog) / Up to 8 IP CHs	
Video Output	1 VGA	
	16 RCA cable (Loop)	-
	1CH CCTV Out (4CH Optional)	2CH CCTV Out
Display Mode	1,4,7,9,10,13,16 sequence	
Display speed	Real-Time Live Display	
Recording Resolution	720x480/720x240/360x240 (NTSC) / 720X576/720X288/ 360X288 (PAL)	
Audio In/Out	16RCA/1RCA	
Alarm In/Out	16/16	16/16
Detailed Spec.		
Recording Rate	480fps/400fps (NTSC/PAL)	
Compression Type	Enhanced H.264/ Depends on the connected IP devices (Video Server, IP cameras)	
Operating System	Microsoft Window 7 Embedded	
Storage	Built-in 500GB (Up to 6HDDs), DVD-RW	
Backup Interface	DVD-RW,USB memory, External HDD/ODD,Network Backup	
Backup Format	Backup Viewer(Exclusive File Format)-Export AVI, JPEG	
Network Connection	Gigabit Ethernet(10/100/1000Mbps)	
RS232	POS/ATM or External Keyboard Controller	
RS485/422	PTZ control or External Keyboard Controller	
USB	USB 2.0 (480Mbps)	
Additional Functions		
Recording Mode	Event-Driven (Motion,Sensor), Schedule, Instant, Intensive Recording	
Search Mode	Backup ,Preview, Object, Index, Bookmark, Panorama(Optional), POS (optional)	
Motion Detection	Motion detection Areas and Sensitivity Setting	
Tolerance	Watchdog, External UPS (Optional)	
Water mark	Support	
Two-away Audio	Support	
Others	Remote S/W,(Remote, iDVR, Emergency Agent),Backup Viewer, Image Cleaning, SYNC	
Dimension & Environment		
Dimension (W x H x D)	440mm x 177mm x 550mm (4U)	
Weight	20kg	
Operating Temperature	5℃~40℃	
Humidity	10~80%	
Power Requirement	100V~240V AC	
Power consumption	130W	

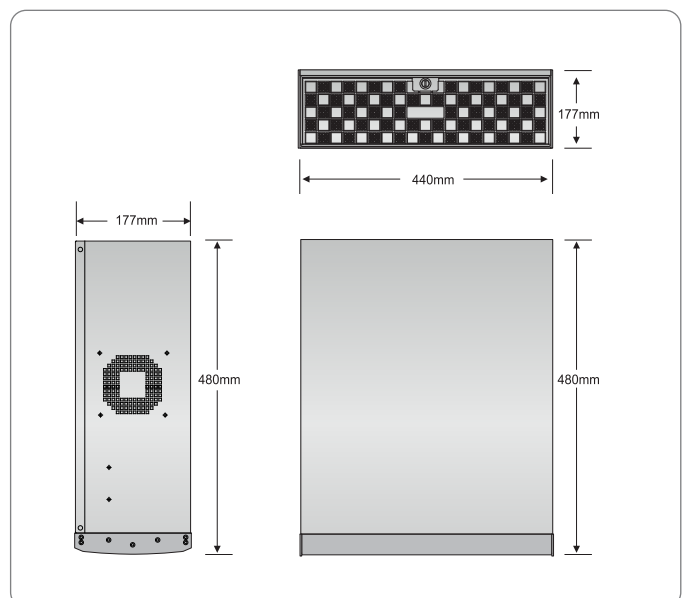
Key Feature

- Supports Analog and IP channel at once
- Supports Up to Real-time 32ch (IP 8ch)
- Pentaplex
- Intuitive User-friendly interface
- In-live Search
- 480FPS/400FPS (@CIF) Recording
- System Auto-Recovery (H/W watchdog)
- Support Numerous 3rd party devices
- Multi-scenario/ Event-driven Recording schedule
- Two-Way Audio
- Digital Signature : Prevent forging of video
- Smart Phone Viewer

Software

- Mobile Remote Viewer (iPhone, Android)
- NxMS software (CMS)

Dimension



NetSafe NVR H164

Network Digital Video Recorder



About

It can be used to connect up to 32 IP channels. Not only does it provide Netsafe DVR's powerful and credible functionality, but it also supports 8/16/32 IP channels. It allows you to connect and monitor IP devices anytime and anywhere through the network.

Key Feature

- Supports Up to Real-time 64 IP-CHs
- Pentaplex
- Intuitive User-friendly interface
- In-live Search
- Full frame real time Recording(Full D1 resolution)
- System Auto-Recovery (H/W watchdog)
- Support Numerous 3rd party devices (Continuously updating)
- Multi-scenario/ Event-driven Recording schedule
- Variety of Search
- Digital Signature : Prevent forging of video
- Smart Phone Viewer

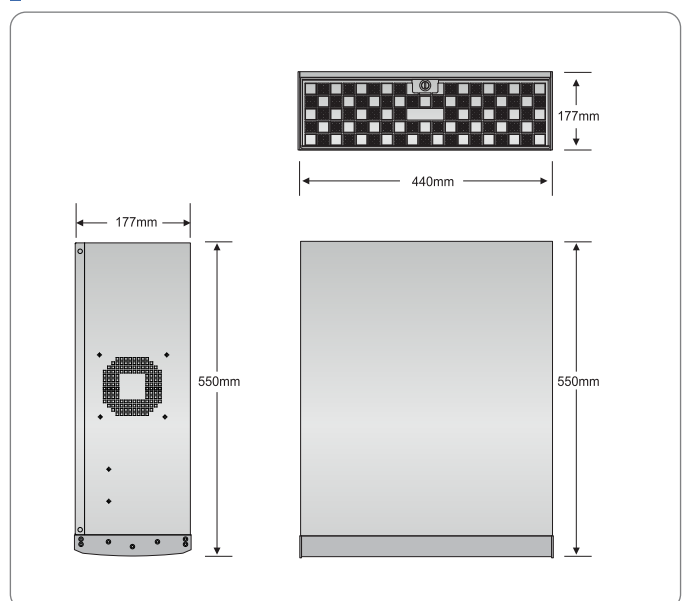
Software

- Mobile Remote Viewer (iPhone, Android)
- NxMS software (CMS)

Specification

General		NetSafe NVR-H164
Video Format		NTSC/PAL
Video Input		Up to 64Ch capable
Video Output		1 VGA/1HDMI
Display Mode		Two section : 1,4,7,9,10,13,16 sequence / 4-DIV Group (4-Split Screen)
Display speed		Depends on the connected IP device (VSs, IP Cameras)
Recording Resolution		Depends on the connected IP device (VSs, IP Cameras)
Audio In/Out		16IP/1RCA
Alarm In/Out		Depends on the connected IP device (VSs, IP Cameras)
Detailed Spec.		
Recording Rate		Real-time Recording (Depends on the connected IP device)
Compression Type		Depends on the connected IP device (VSs, IP Cameras)
Operating System		Microsoft Window 7 Embedded
Storage		Built-in 500GB (Up to 4HDDs), DVD-RW
Backup Interface		USB memory, External HDD/ODD, Network Backup
Backup Format		Backup Viewer(Exclusive File Format)-Export AVI, JPEG
Network Connection		Gigabit Ethernet(10/100/1000Mbps)
RS232		POS/ATM or External Keyboard Controller
RS485/422		PTZ control or External Keyboard Controller
USB		USB 2.0 (480Mbps)
Additional Functions		
Recording Mode		Event-Driven (Motion, Sensor), Schedule, Instant, Intensive Recording
Search Mode		Backup ,Preview, Object, Index, Bookmark, Panorama(Optional), POS (optional)
Motion Detection		Motion detection Areas and Sensitivity Setting
Tolerance		Watchdog, External UPS (Optional)
Water mark		Support
Two-away Audio		Support
Others		Remote S/W,(Remote, iDVR, Emergency Agent),Backup Viewer, Image Cleaning, SYNC
Dimension & Environment		
Dimension (W x H x D)		438mm x 138.2mm x 490mm (3U)
Weight		20kg
Operating Temperature		5℃~40℃
Humidity		10~80%
Power Requirement		100V~240V AC
Power consumption		130W

Dimension



NetSafe DVR 9116

High Quality Picture



About

Netsafe 9000 series is premier PC DVR based on cutting-edge H,264 compression supporting all channel real-time live view and recording at D1. It also allows for multiple client access, providing complete remote control of numerous third party PTZ cameras, various digital searches and most DVR functions and setup.

Key Feature

- Real-Time Live Display
- 480FPS/400FPS(@D1,NTSC/PAL)Recording
- Hardware based H,264
- Hybrid option
- Pentaplex
- Intuitive User-friendly interface
- In-live Search
- System Auto-recovery (H/W watchdog)
- Support Numerous 3rd party devices
- Multi-scenario/ Event-driven Recording schedule
- Two-way audio

Specification

General	NetSafe DVR9116
Video Format	NTSC/PAL
Video Input	16BNC
Video Output	1 VGA
	16 BNC (Loop)
	1CH CCTV Out (4CH Optional)
Display Mode	1, 4, 7, 9, 10, 13, 16 Sequecce
Display speed	Real-Time Live Display
Recording Resolution	720x480/720x240/360x240 (NTSC) / 720X576/720X288/ 360X288 (PAL)
Audio In/Out	16RCA/1RCA
Alarm In/Out	16/16

Detailed Spec.	
Recording Rate	480fps /400fps (@D1)
Compression Type	Enhanced H,264
Operating System	Microsoft Window 7 Embedded
Storage	Built-in 500GB (Up to 6HDDs), DVD-RW
Backup Interface	DVD-RW,USB memory, External HDD/ODD, Network Backup
Backup Format	Backup Viewer(Exclusive File Format)-Export in AVI, JPEG
Network Connection	Gigabit Ethernet(10/100/1000Mbps)
RS232	POS/ATM or External Keyboard Controller
RS485/422	PTZ control or External Keyboard Controller
USB	USB 2,0 (480Mbps)

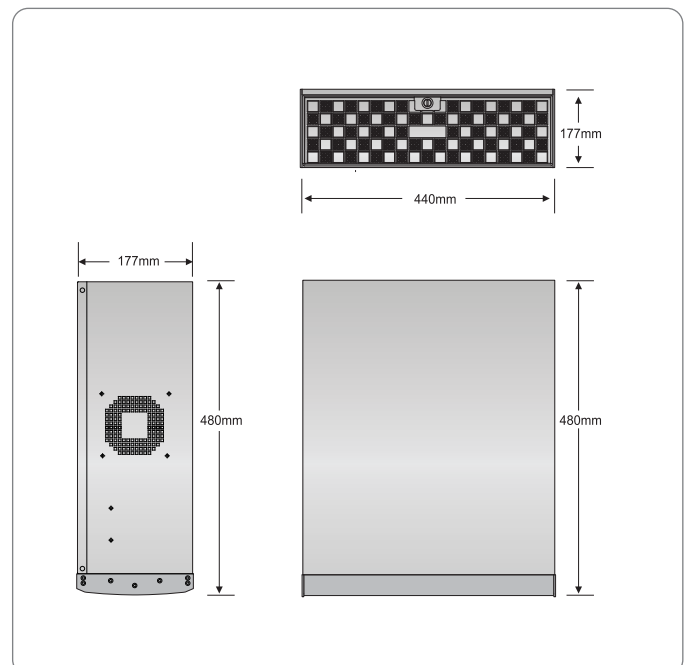
Additional Functions	
Recording Mode	Event-Driven (Motion,Sensor), Schedule, Instant, Intensive Recording
Search Mode	Backup ,Preview, Object, Index, Bookmark, Panorama(Optional), POS (optional)
Motion Detection	Motion detection Areas and Sensitivity Setting
Tolerance	Watchdog, External UPS (Optional)
Water mark	Support
Two-away Audio	Support
Others	Remote S/W,(Remote, iDVR, Emergency Agent),Backup Viewer, Image Cleaning, SYNC

Dimension & Environment	
Dimension (W x H x D)	440mm x 177mm x 550mm (4U)
Weight	20kg
Operating Temperature	5℃ ~40℃
Humidity	10~80%
Power Requirement	100V~240V AC
Power consumption	130W

Software

- Mobile Remote Viewer (iPhone, Android)
- NxMS software (CMS)

Dimension



NetSafe DVR 8016/8032

NetSafe Digital Video Recorder-High Performance



About

The Netsafe DVR8000 Series cover the range of 32,16 channel DVR, recording 400fps configurations. The NetSafe series was designed by customer feedback and faultless quality control processing. It is truly a reliable and cost effective product which can cover a variety of security situations.

Specification

General	NetSafe DVR8032	NetSafe DVR8016
Video Format	NTSC/PAL	
Video Input	32BNC	16BNC
Video Output	NTSC/PAL	
	-	16 RCA cable (Loop)
	2CH CCTV Out (4CH Optional)	1CH CCTV Out (4CH Optional)
Display Mode	1,4,7,9,10,13,16 Sequecce	
Display speed	Real-Time Live Display	
Recording Resolution	720x480/720x240/360x240 (NTSC) / 720X576/720X288/ 360X288 (PAL)	
Audio In/Out	16RCA/1RCA	
Alarm In/Out	16/16	16/16

Detailed Spec.	
Recording Rate	480/400fps (@CIF)
Compression Type	Enhanced H.264
Operating System	Microsoft Window 7 Embedded
Storage	Built-in 500GB (Up to 6HDDs), DVD-RW
Backup Interface	DVD-RW,USB memory, External HDD/ODD, Network Backup
Backup Format	Backup Viewer(Exclusive File Format)-Export in AVI, JPEG
Network Connection	Gigabit Ethernet(10/100/1000Mbps)
RS232	POS/ATM or External Keyboard Controller
RS485/422	PTZ control or External Keyboard Controller
USB	USB 2.0 (480Mbps)

Additional Functions	
Recording Mode	Event-Driven (Motion,Sensor), Schedule, Instant, Intensive Recording
Search Mode	Backup ,Preview, Object, Index, Bookmark, Panorama(Optional), POS (optional)
Motion Detection	Motion detection Areas and Sensitivity Setting
Tolerance	Watchdog, External UPS (Optional)
Water mark	Support
Two-way Audio	Support
Others	Remote S/W,(Remote, iDVR, Emergency Agent),Backup Viewer, Image Cleaning, SYNC

Dimension & Environment	
Dimension (W x H x D)	440mm x 177mm x 550mm (4U)
Weight	20kg
Operating Temperature	5 c ~40 c
Humidity	10~80%
Power Requirement	100V~240V AC
Power consumption	130W

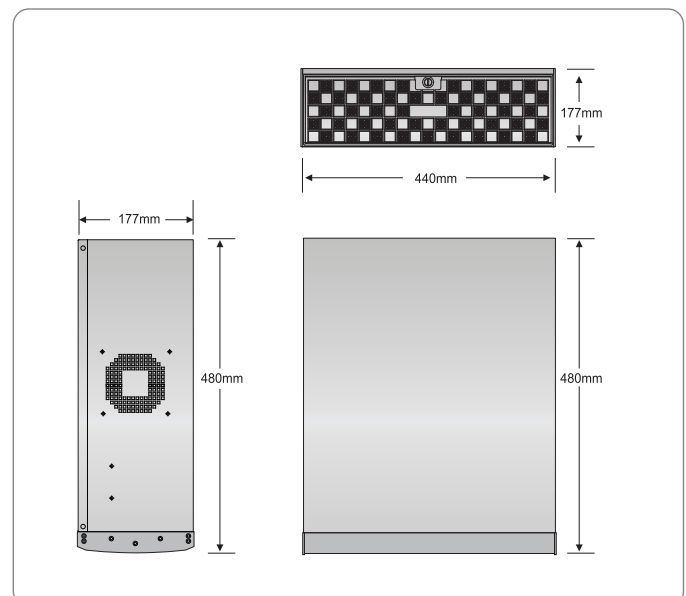
Key Feature

- Real-Time Live Display
- 480FPS/400FPS(@CIF,NTSC/PAL)Recording
- Hardware based H.264
- Hybrid option
- Pentaplex
- Audio In/Out : 16CHs /1CHs
- Alarm In/Out : 16CHs /16CHs
- System Auto-recovery (H/W watchdog)
- Support Numerous 3rd party devices
- Multi-scenario/ Event-driven Recording schedule
- Two-way audio
- Digital Signature – Prevent forging of video

Software

- Mobile Remote Viewer (iPhone, Android)
- NxMS software (CMS)

Dimension



NetSafe DVR 2316

NetSafe Digital Video Recorder



About

The Netsafe DVR2316 model cover the range of 16 channel DVR, recording 100fps configurations. The NetSafe series was designed by customer feedback and faultless quality control processing. It is truly a reliable and cost effective product which can cover a variety of security situations.

Key Feature

- Real-Time Live Display
- 120FPS/100FPS(@CIF,NTSC/PAL) Recording
- Hardware based H.264
- Pentaplex
- Audio In/Out : 4CHs (16CHs) /1CHs
- Alarm In/Out : 16CHs / 4CHs
- System Auto-recovery (H/W watchdog)
- Support Numerous 3rd party devices
- Multi-scenario/ Event-driven Recording schedule
- Two-way audio
- Digital Signature – Prevent forging of video

Specification

General	NetSafe DVR2316
Video Format	NTSC/PAL
Video Input	16BNC
	1 VGA
Video Output	16 RCA cable (Loop)
	1CH CCTV Out (4CH Optional)
Display Mode	1,4,7,9,10,13,16 Sequence
Display speed	Real-Time Live Display
Recording Resolution	720x480/720x240/360x240 (NTSC) / 720X576/720X288/ 360X288 (PAL)
Audio In/Out	16RCA/1RCA
Alarm In/Out	16/4

Detailed Spec.	
Recording Rate	120/100fps (@CIF)
Compression Type	Enhanced H.264
Operating System	Microsoft Window 7 Embedded
Storage	Built-in 500GB (Up to 6HDDs), DVD-RW
Backup Interface	DVD-RW,USB memory, External HDD/ODD, Network Backup
Backup Format	Backup Viewer(Exclusive File Format)-Export in AVI, JPEG
Network Connection	Gigabit Ethernet(10/100/1000Mbps)
RS232	POS/ATM or External Keyboard Controller
RS485/422	PTZ control or External Keyboard Controller
USB	USB 2.0 (480Mbps)

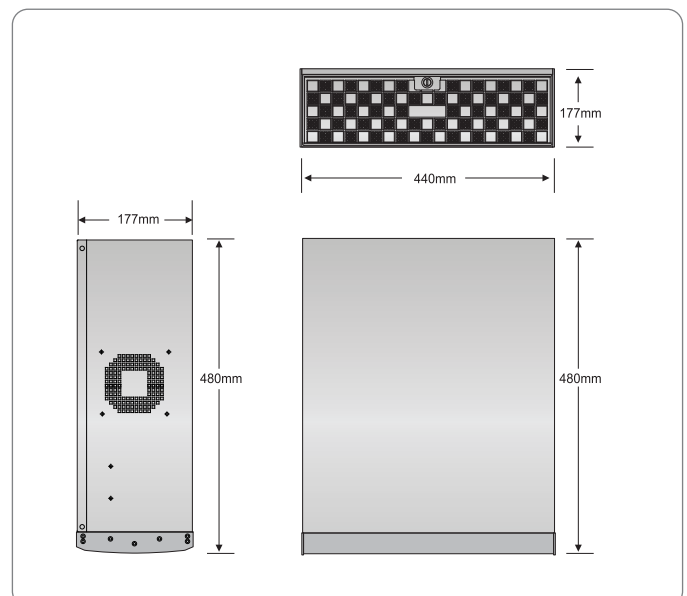
Additional Functions	
Recording Mode	Event-Driven (Motion,Sensor), Schedule, Instant, Intensive Recording
Search Mode	Backup ,Preview, Object, Index, Bookmark, Panorama(Optional), POS (optional)
Motion Detection	Motion detection Areas and Sensitivity Setting
Tolerance	Watchdog, External UPS (Optional)
Water mark	Support
Two-away Audio	Support
Others	Remote S/W,(Remote, iDVR, Emergency Agent),Backup Viewer, Image Cleaning, SYNC

Dimension & Environment	
Dimension (W x H x D)	440mm x 177mm x 550mm (4U)
Weight	20kg
Operating Temperature	5℃~40℃
Humidity	10~80%
Power Requirement	100V~240V AC
Power consumption	90W

Software

- Mobile Remote Viewer (iPhone, Android)
- NxMS software (CMS)

Dimension



Pos-Watch HD1648F

Full HD Monitoring, Premium Standalone



About

The PSE-HD1648F is the high end version of the POS-Watch Range. Main features include a 1080p display output, D1 real-time recording on all channels, Built in RAID 1and 5 for data protection and Hexaplex functionality which allows all functions of the DVR to run simultaneously.

Key Feature

- Enhanced H.264 Video Compression
- HDMI Display (1080p)
- D1(4CIF) Real-time Recording
- RAID1/5 HDD Protection
- POS/ATM Interface
- USB, eSATA, NAS Backup
- Still image capture in Full HD resolution
- Two Way Audio
- Smart Phone Viewer
- NTP, DST, DDNS, DHCP
- All Channel Audio Recording

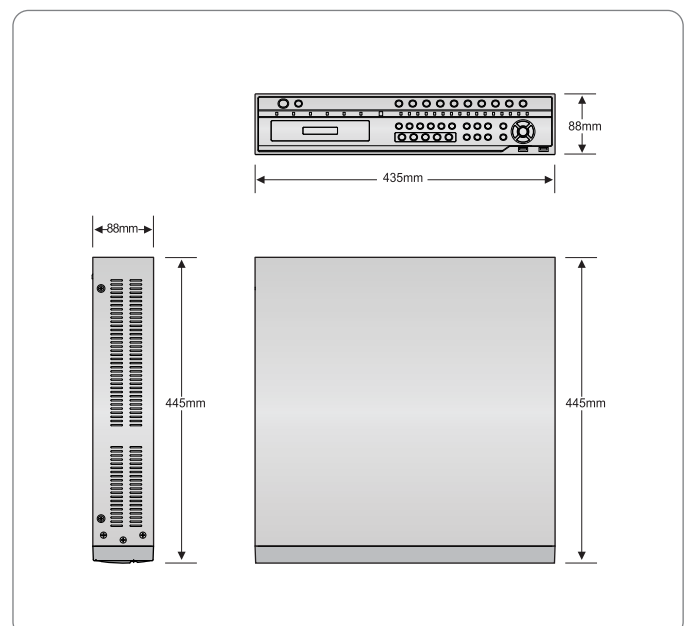
Specification

General		PSE HD1648F
Video Format		NTSC/PAL
Video Input		16BNC
Video Output		1 BNC, 1 VGA, 1 HDMI(1080p)
		16 BNC (Loop)
		4 BNC (Spot)
Display mode		16/9/4/1 Sequecce
Display speed		Real-Time Live Display
Recording Resolution		4CIF(Full D1), 2CIF(Half D1), CIF
Audio In/Out		16RCA/1RCA
Alarm In/Out		16/4
Detailed Spec.		
Recording Rate		D1 real-time
Compression Type		Enhanced H.264
Operating System		Embedded Linux - Built in flash memory
Storage		6 HDD (Without ODD)
External Storage		USB, eSATA
HDD Protection		RAID 1/5
Backup Interface		DVD-RW, USB, Network, NAS, eSATA
Backup Format		Backup Viewer (Exclusive File Format) - Export AVI, JPEG
Network Connection		Ethernet /1000
PTZ Interface		RS485 Terminal Block
POS/ATM Interface		8 RS232
Additional Functions		
Recording Mode		Contiuous, Event (Snesor, Motion, Audio, Patter, Text), Schedule
Search Mode		By Date& Time, First, Last, System Log, Event Log, Multi-Channel Playback
Motion Detection		Motion detection Areas and Sensitivity Setting
Tolerance		Watchdog, External UPS (Optional)
Water mark		Support
Two-away Audio		Support
Others		CMS, Web Viewer, Mobile Viewer
Dimension & Environment		
Dimension (W x H x D)		435(W)x88(H)x455(D)mm
Weight		10kgs
Operating Temperature		5℃~40℃
Humidity		10~80%
Power Requirement		AC90~250V (50~60HZ)
Power consumption		200W

Software

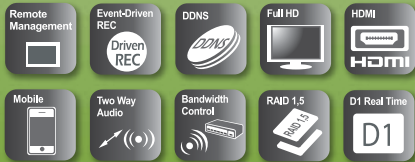
- Mobile Remote Viewer (iPhone, Android)
- DNA software (CMS)
- Advanced Web viewer

Dimension



Trium SH9000/7000 Series

Full HD Monitoring, Slim Type Embedded DVR



About

Trium SH series is premier embedded DVR based on cutting-edge H.264 compression supporting all channel real-time live view and recording at D1 or CIF resolution. The intuitive and user-friendly interface makes navigation and system functions simple to perform.

Key Feature

- Enhanced H.264 Video Compression
- D1/CIF Real-time Recording
- All Channel Audio Recording
- 1.5U Slim size and User-friendly design
- RAID 1/5 HDD Protection for SH9000 series
- USB, eSATA, NAS Backup
- Two Way Audio
- Smart Phone Viewer
- NTP, DST, DDNS, DHCP

Specification

General	Trium SH9000			Trium SH7000	
	SH9016	SH9008	SH9004	SH7016	SH7008
Video Format	NTSC / PAL				
Video Input	16BNC	8BNC	4BNC	16BNC	8BNC
Video Output	1 BNC, 1 VGA, 1 HDMI(1080p)			1BNC, 1 VGA	
Display mode	16/9/4/1 Sequence	8/4/1 Sequence	4/1 Sequence	16/9/4/1 Sequence	8/4/1 Sequence
Display speed	Real-Time Live Display				
Recording Resolution	4CIF(Full D1), 2CIF(Half D1), CIF				
Audio In/Out	16RCA/1RCA	8RCA/1RCA	4RCA/1RCA	16RCA/1RCA	8RCA/1RCA
Alarm In/Out	16/4	8/2	4/1	4/1	4/1

Detailed Spec.

Recording Rate	D1 real-time	CIF real-time	
Compression Type	Enhanced H.264		
Operating System	Embedded Linux - Built in flash memory		
Storage	3 HDD(Without ODD)	2 HDD	2 HDD
External Storage	USB, eSATA	USB	
HDD Protection	RAID 1/5	RAID 1	-
Backup Interface	DVD-RW, USB, Network, NAS, eSATA	DVD-RW, USB, Network, NAS	
Backup Format	Backup Viewer (Exclusive File Format) - Export AVI, JPEG		
Network Connection	Ethernet /100		
PTZ Interface	RS485 Terminal Block		
POS/ATM Interface	8 RS232	4 RS232	-

Additional Functions

Recording Mode	Continuous, Event (Sensor, Motion, Audio, Pattern, Text), Schedule
Search Mode	By Date& Time, First, Last, System Log, Event Log, Multi-Channel Playback
Motion Detection	Motion detection Areas and Sensitivity Setting
Tolerance	Watchdog, External UPS (Optional)
Water mark	Support
Two-way Audio	Support
Others	CMS, Web Viewer, Mobile Viewer

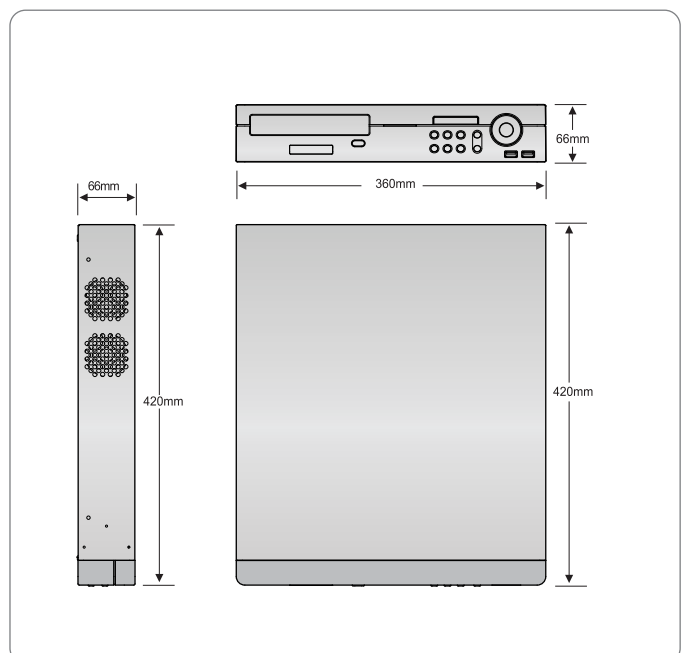
Dimension & Environment

Dimension (W x H x D)	360(W) x 66(H) x 420(D)
Weight	6kgs
Operating Temperature	5c -40c
Humidity	10-80%
Power Requirement	DC 12V / 5A (Adaptor)
Power consumption	60W

Software

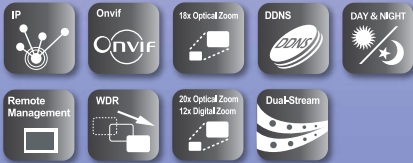
- Mobile Remote Viewer (iPhone, Android)
- NxMS software (CMS)
- Advanced Web viewer

Dimension



Clebo PM-10HT/20S

IP Megapixel / HD CCTV Speed Dome



About

Integrated with HD CCTV technology as well as IP, Clebo PM Megapixel cameras run fast, clear data streams through existing coaxial lines. Plug-and-play resolution upgrade, true HDTV live view, real PTZ control (no delay) and not packetable latency issues makes Trium's PM line a clear, reliable security upgrade.

Clebo PM-10HT

- 18X Optical Zoom
- Supports HDTV-720p (1280 x 720p)
- Support HD-SDI port
- Dual streaming

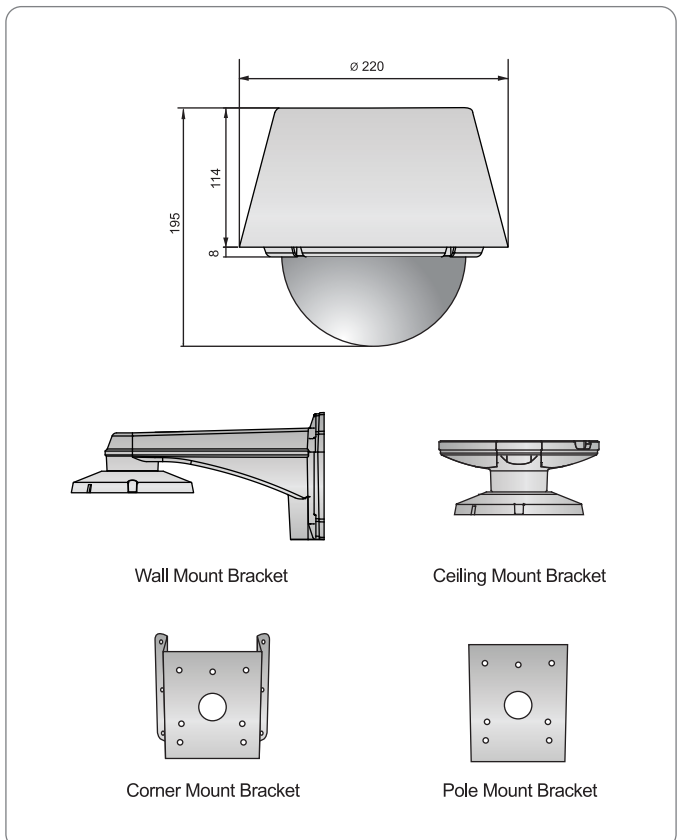
Clebo PM-20S

- 20X Optical Zoom/12X Digital Zoom
- Supports Full HDTV-1080p (1920 x 1080p)
- Support HD-SDI port
- Dual streaming

Specification

Camera	Clebo PM-10HT	Clebo PM-20S	
Image Device (CCD)	1/3" Solid State Progressive Scan CCD	1/3" CMOS sensor	
Effective Pixels	≈ 1.3M Pixel [1296(H) x 966(V)]	≈ 2M Pixel [1920(H) x 1080(V)]	
S/N Ratio	28 dB (IRcF Off)	More 50 Db	
Zoom	18x Optical Zoom	20x optical zoom & 12x Digital Zoom	
Zoom speed	3.5 sec (Wide to Tele)	1.6 sec (Wide to Tele)	
Angle of view	55.2°(Wide) ~ 3.2°(Tele)	55.4°(Wide) ~ 2.9°(Tele)	
Focal length	F=1.6~2.8 / f=4.7~84.6mm	F=1.6~3.5 / f=4.7~94mm	
Min. Illumination	*0.5 Lux (Color) / 0.02 Lux (B/W) @ 50 IRE & F1.6 & 1/4s & 28dB*	*0.5 Lux (Color) / 0.095 Lux (B/W) @ 50 IRE & F1.6 & 1/30s & 50dB*	
Day & Night (ICR)	Auto / Manual	Auto / Manual	
Focus Range	∞~0.01m(Wide), 1m(Tele)	10 mm (Wide), 800 mm(Tele)	
Iris	Auto / Manual (F1.6 ~ F34)	Auto / Manual (F1.6~ F14, Close)	
Shutter Speed	Auto / Manual (1/4 ~ 1/10,000sec)	Auto / Manual (1/1 ~ 1/10000sec)	
AGC	Auto / Manual (0 ~ 30dB)	Auto / Manual (-3~28dB)	
White Balance	Auto / Manual	Auto / Manual (Red, Blue Gain Adjustable)	
BLC	Auto / Manual, 256 Levels	On / Off	
WDR	On / Off	On / Off / Auto	
Picture Freeze	-	On / Off	
Noise Reduction	-	Off, 5 Levels	
Privacy Mark	8 Marks (Spherical Coordinate)	24 Marks (Spherical Coordinate)	
Video			
Standards	Main Stream : H.264HP/MPEG4SP/MJPEG, Secondary Stream : H.264HP / MPEG4SP		
Output	1 BNC (HD-SDI)	1 BNC (HD-SDI)	
Resolution	1280x720 ~ 192 x 144	1920 x 1080 ~ 320x176	
Frame Rate	1 ~ 30 fps		
Bit Rate	30 Kbps ~ 8 Mbps	300kbps ~ 8 Mbps	
Audio			
Algorithm	G.711		
Input	1 Line - In		
Output	1 Line - Out		
Sample Rate	G.711 : 8 KHz		
Network			
Interface	Ethernet 10/100 Base-T (RJ-45)		
Protocol	TCP/IP, UDP, Multicast, DHCP, SMTP, HTTP, RTP, RTSP, ONVIF V1.02		
Pan/Tilt			
Travel Range	Pan : 360°(Endless), Tilt : 180°		
Speed	Preset	360°/sec	
	Jog	0.05 ~ 360°/sec (Proportional to Zoom)	
	Swing	1.41° ~ 180°/sec	
Preset	99 Presets	255 Presets	
Pattern	4 Patterns (760 command/Pattern)		
Swing	8 Swings		
Group	8 Groups (20 Actions/Group)		
Communication			
Type	RS-485		
PTZ Protocol	Pelco-D, Pelco-P Selectable		
Sensor/ Alarm			
Sensor	3 Inputs, Photo-Coupler Input		
Alarm	1 Relay Outputs, Max Load : DC24V 1A / AC125V 0.5A		
IP Reset Button	Yes		
Physical			
Mount Accessory	Wall Mount or Ceiling Mount, Sun-shield		
Dimension	Dome	ø150mm / 5.9"	
Weight	Wall	Approx 3.8 Kg	
	Ceiling	Approx 3.2 Kg	
Material	Dome	Polycarbonate	
	Internal	Polycarbonate, ABS	
	External		Aluminum
Rated Power	DC12V, 3A (36W)		
Waterproof	IP 67		
Fan	Always ON		
Heater	Operation start from Internal Temperature 10°C		
Operation Temperature	-30°C ~ 60°C / -22°F ~ 140°F		

Dimension & Accessory



Clebo Clebo M Ton-10TP/TN

D1 IP Speed Dome Camera



About

Integrated with HD CCTV technology as well as IP, Clebo PM Megapixel cameras run fast, clear data streams through existing coaxial lines. Plug-and-play resolution upgrade, true HDTV live view, real PTZ control (no delay) and not packetable latency issues makes Trium's PM line a clear, reliable security upgrade.

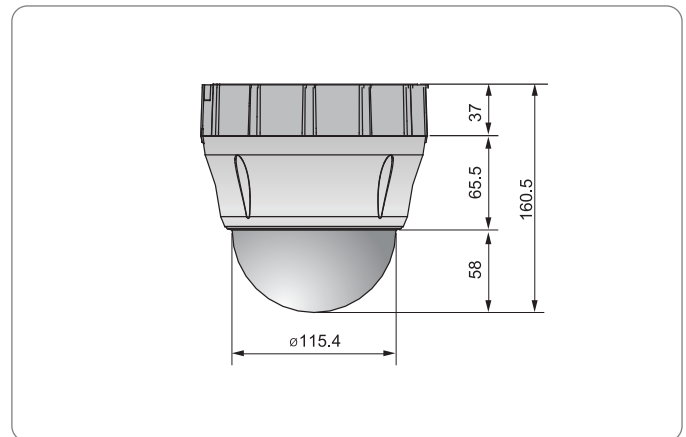
Key Feature

- Enhanced H.264 Compression
- Smooth 360°/sec. Speed Dome
- 10X Optical and 10X Digital
- Dual-Streaming Technology
- Indoor/Outdoor Models
- Precision PTZ Motion
- Vandal Resistant Dome
- Day/Night Capable (IR Cut Filter)

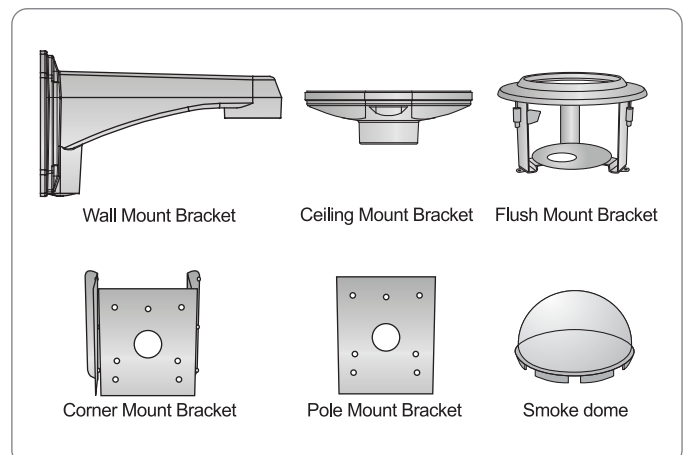
Specification

Camera		Clebo M Ton-10TP/TN
Image Device (CCD)		1/4" Interline Transfer CCD
Effective Pixels		380K Pixel [768(H) x 494(V)]
S/N Ratio		50dB (AGC off)
Zoom		10x optical & 10x Digital Zoom
Focal length		F1.8, f=3.8-38mm
Min. Illumination		*0.7Lux(Color) / 0.02Lux(B/W), 50IRE*
Day & Night (ICR)		Auto / Day / Night (IR Cut Filter)
Focus Range		Auto / Manual / Semi-Auto
Iris		Auto / Manual
Shutter Speed		x128 ~ 1/120000sec
AGC		Normal / High / Off
White Balance		Auto / Manual (Red, Blue Gain Adjustable)
BLC		Low / Middle / High / Off
Privacy Mark		4 Marks (Spherical Coordinate)
Video		
Standards		Main Stream : H.264HP/IMPEG4SP/MJPEG, Secondary Stream : H.264HP / MPEG4SP
Output		1 BNC (CVBS)
Resolution		704x480/30fps, 704x240/30fps, 352x240/30fps
Frame Rate		1 ~ 30 fps
Bit Rate		30Kbps ~ 4Mbps
Audio		
Algorithm		G.711
Input		1 Line-In
Output		1 Line-Out
Sample Rate		G.711 : 8 KHz
Network		
Interface		Ethernet 10/100 Base-T (RJ-45)
Protocol		TCP/IP, UDP, Multicast, DHCP, SMTP, HTTP, RTP, RTSP, ONVIF V1.02
Pan/Tilt		
Travel Range		Pan : 360°(Endless), Tilt : 180°
Speed	Preset	360°/sec
	Jog	0.05 ~ 360°/sec (Proportional to Zoom)
	Swing	1° ~ 180°/sec
Preset		127 Presets
Pattern		4 Patterns (1200 command/Pattern)
Swing		8 Swings
Group		8 Groups (20 Actions/Group)
Communication		
Type		RS-485
PTZ Protocol		Pelco-D, Pelco-P Selectable
Sensor/ Alarm		
Sensor		3 Inputs, Photo-Coupler Input
IP Reset Button		Yes
Physical		
Mount Accessory		Wall Mount or Ceiling Mount, Sun-shield
Dimension	Dome	ø115 mm / 4.5"
Weight	Wall	Approx 2.1kgs
	Ceiling	Approx 1.5kgs
Material	Dome	Polycarbonate
	Internal	Polycarbonate, ABS
	External	Aluminum
Rated Power		DC12V, 0.8A
Operation Temperature		0°C ~ 40°C / 32°F ~ 104°F

Dimension



Accessory



Clebo MT/QT Series

Indoor&Outdoor Mini Speed Dome Camera



Key Feature

Fast & Silent Motion

- Fast & Silent Motion
- No Accumulative Error with Preset Function
- Shortest Path by Vector Drive Technology
- High Accuracy with Micro Stepping Control Technology
- Smooth Motion at High Zoom Magnification Mode
- Lightening Speed (MAX. 360°/sec) & Smooth Manual Speed (MIN. 0.25°/sec)
- Lowest Noise & Lowest Vibration
- Endless 360° Pan Rotation

Superior Zoom Camera

- X100 Zoom Control (Optical X10, Digital X10)
- Day & Night (IR Cut Filter)
- SNR (Super Noise Reduction)

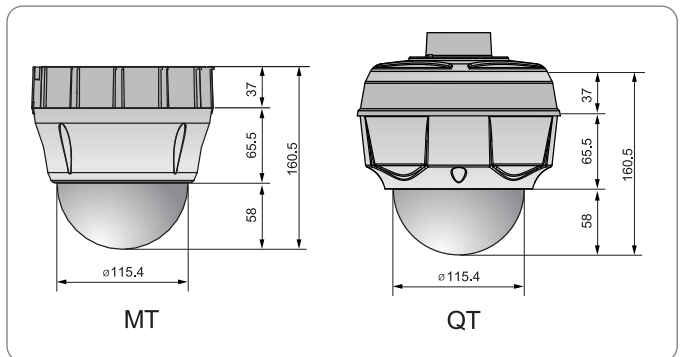
Specification

Camera	Mini Indoor Speed Dome MT-10TP/TN	Mini Outdoor Speed Dome QT-10TP/TN
Image Device (CCD)	1/4" Interline Transfer CCD	
Effective Pixels	NTSC: 768(H)x494(V) 380K / PAL: 752(H)x582(V) 440K	
S/N Ratio	50 dB (AGC Off)	
Zoom	x10 Optical Zoom, x10 Digital Zoom	
Focal Length	F1.8, f=3.8-38mm	
Min. Illumination	0.7 Lux (Color) / 0.02 Lux (B/W), 50 IRE	0.7 Lux (Color) / 0.02 Lux (B/W), 50 IRE
Day & Night	Auto / Day / Night (IRC)	
Focus Range	Auto / Manual / Semi-Auto	
Iris	Auto / Manual	
Shutter Speed	x128 ~ 1/120000sec	x256 ~ 1/120000 sec
AGC	Normal / High / Off	Low / Middle / High / Manual / Off
White Balance	Auto / Manual (Red, Blue Gain Adjustable)	
BLC	Low / Middle / High / Off	
Flickerless	Selectable	
Noise Reduction	Low / Middle / High / Off	
Privacy Mask	4 Zones	
H.Resolution	500TV Line (Color) / 570 TV Line (BW)	
Pan/Tilt		
Travel Range	Pan : 360°(Endless), Tilt : 180° (Auto-Flip), 90° (Normal)	
Speed	Preset	360°/sec
	Jog	0.05 ~ 360°/sec (Proportional to Zoom)
	Swing	1~180°/sec
Preset	127 Presets	
Pattern	4 Patterns (1200 command/Pattern)	
Swing	8 Swings	
Group	8 Groups (20 Actions/Group)	
Communication		
Type	RS-485	
PTZ Protocol	Pelco-D, Pelco-P Selectable	
Sensor/ Alarm		
Sensor	4 Zones	
Physical		
Dimension	Ø115 mm / 4.5"	
Weight	Wall	Approx. 2.1Kgs
	Ceiling	Approx. 1.5Kgs
Material	Aluminum	
Rated Power	DC12V, 0.8A	DC12V, 3A
Waterproof	-	IP67
Fan	-	Always ON
Heater	-	Operation start from Internal Temperature 10°C
Operation Temperature	0°C ~ 40°C / 32°F ~ 104°F	-10°C ~ 50°C / 14°F ~ 122°F

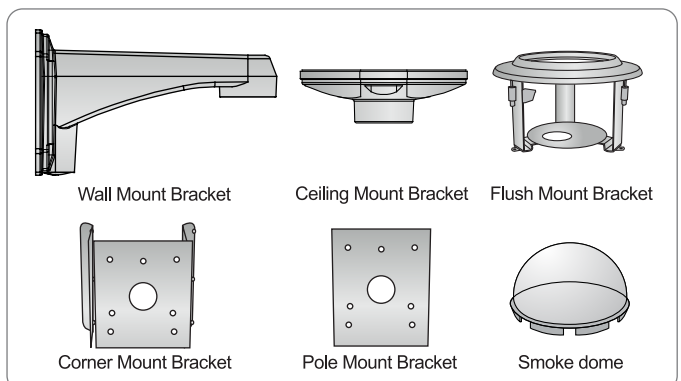
Powerful Functions

- Independent Preset Characteristic Setup (AE, WB and etc.)
- 128 Preset Positions with Alphanumeric Labels
- 4 Pattern, 8 Swing and 8 Group Functions
- 4 Privacy Zone (Spherical Coordinates)
- System Image Flip by Installation Type
- Auto Flip, Auto Parking, Power-up Action
- Frame Freeze Function
- On-Screen Display On/Off
- Built-in Sensor In/Out Function (4 In)
- Small Size / Vandal-Proof(Dome Cover:PC/Housing & Accessories:AL)

Dimension

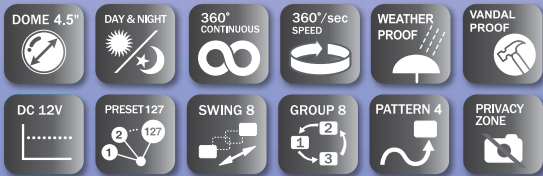


Accessory



Clebo ETon-33TP/TN&37TP/TN

D1 IP Speed Dome Camera



About

Clebo ET series are professional level, fully functional Outdoor Speed Dome cameras. These network capable cameras allow for remote viewing of channels via the web or through Win4net management suite (NxMS), making multi-site monitoring easy and fully customizable. The Clebo ET series is a professional network capable camera that will enhance any surveillance system.

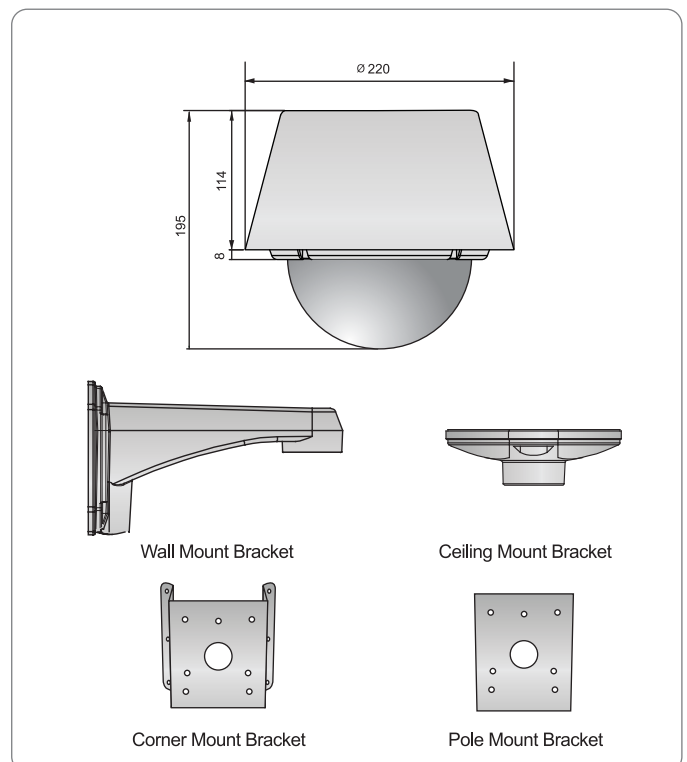
Specification

Outdoor IP Speed Dome		
Camera	Clebo ETon-33TP/TN / Clebo ETon-37TP/TN	
Image Device (CCD)	1/4" Double Density Interline Transfer CCD	
Effective Pixels	380K Pixel [768(H) x 494(V)]	
S/N Ratio	50dB (AGC off)	
Zoom	33x optical & 12x Digital Zoom / 37x optical & 12x Digital Zoom	
Zoom speed	2.5sec(Wide to Tele)	
Angle of view	H:55.5°(Wide) ~ 1.59°(Tele) / V:42.5°(Wide) ~ 1.19°(Tele)	
Focal length	F1.6, f=3.5~129.5mm	
Min. Illumination	0.7Lux(Color) / 0.06Lux(B/W) / 50IRE, F1.6	
Day & Night (ICR)	Auto / Day / Night (IR Cut Filter)	
Focus Range	Auto / Manual / Semi-Auto	
Iris	Auto / Manual	
Shutter Speed	x256 ~ 1/120000sec	
AGC	Low / Middle / High / Manual / Off	
White Balance	Auto / Manual (Red, Blue Gain Adjustable)	
BLC	Low / Middle / High / Off	
WDR	Optional	
Privacy Mark	8 Marks (Spherical Coordinate)	
Video		
Standards	Main Stream : H.264HP/MPEG4SP/MJPEG, Secondary Stream : H.264HP / MPEG4SP	
Output	1 BNC (CVBS)	
Resolution	704x480/30fps, 704x240/30fps, 352x240/30fps	
Frame Rate	1 ~ 30 fps	
Bit Rate	30Kbps ~ 4Mbps	
Audio		
Algorithm	G.711	
Input	1 Line - In	
Output	1 Line - Out	
Sample Rate	G.711 : 8 KHz	
Network		
Interface	Ethernet 10/100 Base-T (RJ-45)	
Protocol	TCP/IP, UDP, Multicast, DHCP, SMTP, HTTP, RTP, RTSP, ONVIF V1.02	
Pan/Tilt		
Travel Range	Pan : 360°(Endless), Tilt : 180°	
Speed	Preset	360°/sec
	Jog	0.05 ~ 360°/sec (Proportional to Zoom)
	Swing	1° ~ 180°/sec
Preset	127 Presets	
Pattern	4 Patterns (1200 command/Pattern)	
Swing	8 Swings	
Group	8 Groups (20 Actions/Group)	
Communication		
Type	RS-485	
PTZ Protocol	Pelco-D, Pelco-P Selectable	
Sensor/Alarm		
Sensor	3 Inputs, Photo-Coupler Input	
Alarm	1 Relay Outputs, Max Load : DC24V 1A / AC125V 0.5A	
IP Reset Button	Yes	
Physical		
Mount Accessory	Wall Mount or Ceiling Mount, Sun-shield	
Dimension	Dome Ø150mm / 5.9"	
Weight	Wall	Approx 3.8 Kg
	Ceiling	Approx 3.2 Kg
	Dome	Polycarbonate
Material	Internal	Polycarbonate, ABS
	External	Aluminum
Rated Power	DC12V, 3A	
Waterproof	IP 67	
Fan	Always ON	
Heater	Operation start from Internal Temperature 10°C	
Operation Temperature	-10°C ~ 50°C / 14°F ~ 122°F	

Key Feature

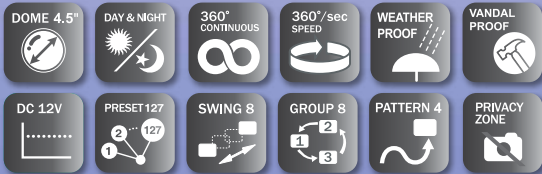
- Premium H.264 Compression (D1)
- Smooth 360°/sec speed dome
- 33X/37X Optical Zoom
- No latency or Delay issue
- Dual-streaming Technology
- Indoor/Outdoor model
- Precision PTZ Motion
- Vandal Resistant Dome
- Day/ Night Capable (IR Cut Filter)

Dimension & Accessory



Clebo ET Series

Outdoor Speed Dome Camera



Key Feature

Fast & Silent Motion

- No Accumulative Error with Preset Function
- Shortest Path by Vector Drive Technology
- High Accuracy with Micro Stepping Control Technology
- Smooth Motion at High Zoom Magnification Mode
- Lightning Speed (MAX. 360°/sec) & Smooth Manual Speed (MIN. 0.25°/sec)
- Lowest Noise & Lowest Vibration
- Endless 360° Pan Rotation

Superior Zoom Camara

- X396 Zoom Control (Optical X33, Digital X12)
- X444 Zoom Control (Optical X37, Digital X12)
- Day & Night (IR Cut Filter)
- HLC (High Light Compensation)
- DIS (Digital Image Stabilization)
- SNR (Super Noise Reduction)

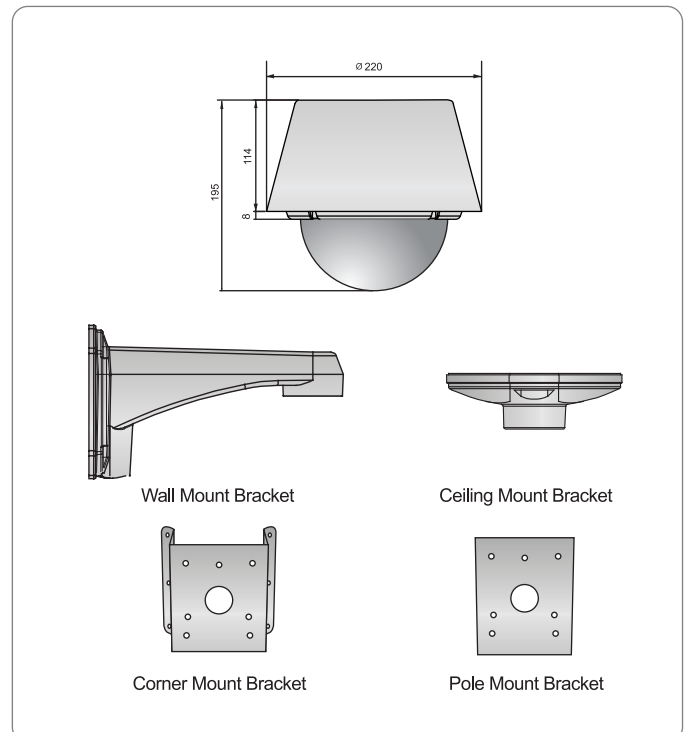
Powerful Functions

- Independent Preset Characteristic Setup (AE, WB and etc.)
- 127 Preset Positions with Alphanumeric Labels
- 4 Pattern, 8 Swing and 8 Group Functions
- 8 Privacy Zone (Spherical Coordinates)
- Auto Flip, Auto Parking, Power-up Action
- Frame Freeze Function
- On-Screen Display On/Off
- Small Size / Weatherproof Structure / IP67
- Vandal-Proof (Dome Cover : PC / Housing & Accessories : AL)

Specification

Outdoor Speed Dome		
Camera	Clebo ET-33TP/TN	Clebo ET-37TP/TN
Image Device (CCD)	Sony 1/4" Double Density Interline Transfer CCD	
Effective Pixels	NTSC: 768(H)x494(V) 380K / PAL: 752(H)x582(V) 440K	
S/N Ratio	50 dB (AGC Off)	
Zoom	33x optical zoom & 12x Digital Zoom	37x optical zoom & 12x Digital Zoom
Zoom speed	2.2sec (Wide to Tele)	2.5sec (Wide to Tele)
Angle of view	H: 55.5° (Wide)~1.59 (Tele) / V: 42.5 (Wide)~1.19 (Tele)	
Focal length	F1.6~3.9, f=3.5~129.5mm	
Min. Illumination	0.4 Lux (Color) / 0.03 Lux (B/W), 50 IRE / F1.6	0.7 Lux (Color) / 0.06 Lux (B/W), 50 IRE / F1.6
Day & Night	Auto / Day / Night (IRC)	
Focus Range	Auto / Manual / Semi-Auto	
Iris	Auto / Manual	
Shutter Speed	x256 ~ 1/120000 sec	
AGC	Low / Middle / High / Manual / Off	
White Balance	Auto / Manual (Red, Blue Gain Adjustable)	
BLC	Low / Middle / High / Off	
Flickerless	Selectable	
Noise Reduction	Low / Middle / High / Off	
Privacy Mark	8 Masks with Spherical Coordinates	
Image stabilization	On / Off	
H.Resolution	550TV Line (Color) / 680 TV line (BW)	
Pan/Tilt		
Travel Range	Pan : 360° (Endless), Tilt : 90°	
Speed	Preset	360°/sec
	Jog	0.05 ~ 360°/sec (Proportional to Zoom)
	Swing	1~180°/sec
Preset	127 Presets	
Pattern	4 Patterns (1200 command/Pattern)	
Swing	8 Swings	
Group	8 Groups (20 Actions/Group)	
Communication		
Type	RS-485	
PTZ Protocol	Pelco-D, Pelco-P Selectable	
Sensor/ Alarm		
Sensor	3 Inputs, (Photo-Coupler Input)	
IP Reset Button	1Relay Outputs	
Physical		
Mount Accessory	Ø 150mm / 5.9"	
Dimension	Dome	Approx 3.8 Kgs
	Wall	Approx 3.2 Kgs
Weight	Ceiling	Aluminum
	Dome	DC12V, 3A
Material	Internal	IP67
	External	Always ON
Rated Power	Operation start from Internal Temperature 10°C	
Operation Temperature	-10°C ~ 50°C / 14°F ~ 122°F	

Dimension&Accessory



Enterprise VMS Trium-i

Premium Video Management System



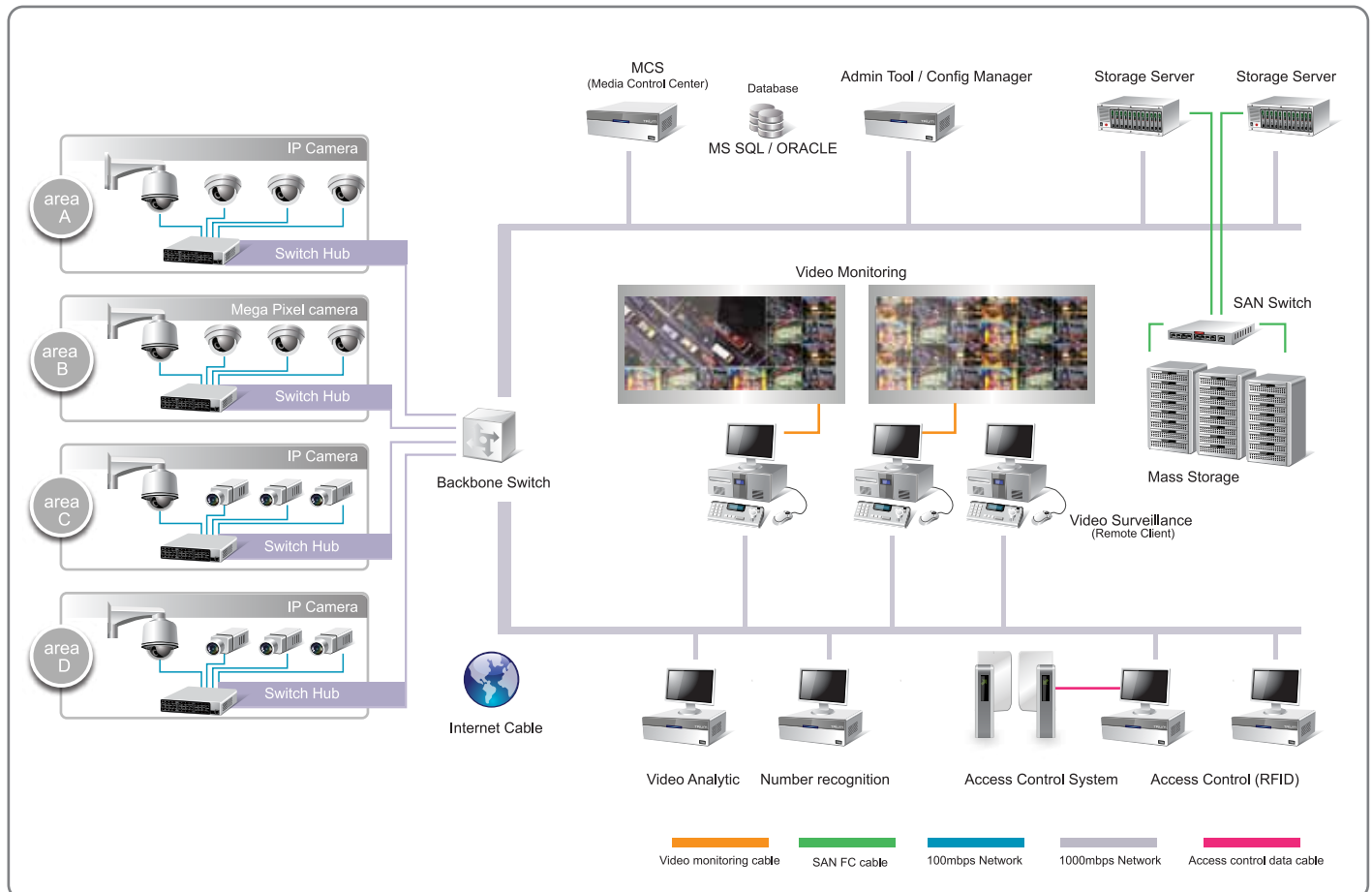
About

Trium i is designed to manage security processes effectively and systematically from small scale (more than 16chs) to large scale systems (more than 8,000chs). It includes all the latest functions required by today's security professional and in a convenient way. Being able to process many channels of data simply, it controls image, audio, alarm data and metadata information on diversified environments as a complete enterprise platform. The software will be referred to and is classified as a VMS(Video Management System).

Key Feature

- Connectivity and Compatibility Between Heterogeneous Devices
- Expandable Server / Client Structure
- Package IP devices Management
- Optimum Alarm and Event management
- Superior System Security
- Fault Tolerant System (Fail Over function)
- Search on Multiple monitors and Back up (Connectivity with a maximum 280 chs)

Diagram



Trium-w

Construction Monitoring Software



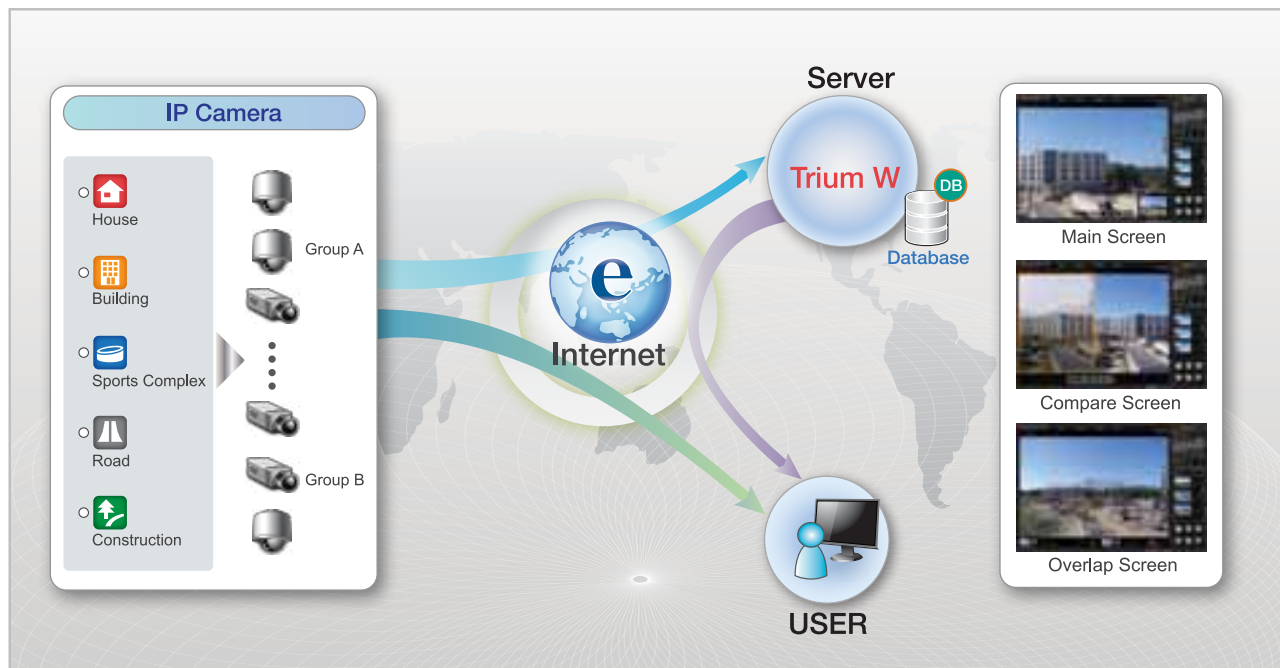
About

The Trium W construction monitoring software is designed and build for monitoring builing projects in the most demanding environments. The software allows the user to connect and control multiple construction camera via the internet. In real life situation when the construction management team does not always operate on site the construction monitoring software is the best solution. The Construction manager can simply connect to the camera via the internet and our unique software will allow the user to view current site and its history. Then highlight areas of interest on the construction site to other members of the construction team. The aid of a picture ensures simple communication and that the project runs smoothly and in less time.

Key Feature

- Supports Megapixel cameras
- Saved archived images for a long period
- Supports up X number of remote user connections.
- Zoom in and out areas of interest.
- Save images, make measurements and send to other users
- Remotely configure the camera
- Compare images using Compare settings
- separate screen and overlap functions
- Set location types by name and icon format for easy management
- Create Events and select favorites site connections.
- Time selection search up to a month of images on one screen

Diagram



NxMS

Network Based Central Management System



About

NxMS is a comprehensive management suite which provides complete control for not only WIN4NET's entire product line, also the most common used security devices such as: DVRs, Video servers, IP camera. Our interface combines powerful network security functions with ease of use. With just a click of the mouse you can perform multi-site live video monitoring, access search functions, view/manage alarm warnings and customize camera groupings pulled from multiple locations on your security network.

Key Feature

- Centralized Integration and Remote Management
- Integrates Numerous 3rd Party Security Systems
- Connected Devices's own Functions Capable
- Multiple Searches (Status, By Event, By Time, Preview, Bookmark, POS, Etc.)
- Various Types of Display Mode (up to 64CHs)
- Designed for Multiple Monitor Environment
- Multiple Level of User Authority
- Event-driven Many Different Types of Alarm Notification
- Round-the-clock Alarm Notification
- e-Map
- Remote Device S/W Updates
- Remote Device Health check

Diagram

