



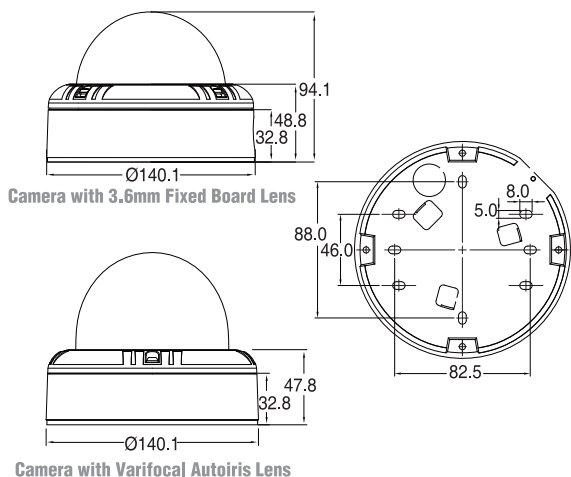
Outdoor Dome Camera

600TV lines high resolution outdoor dome CCTV camera

Features

- 1/3" High Resolution CCD
- 600TV lines
[AOD9436,AOD94TIR36,AOD9412,AOD94TIR12,AOD9712,AOD97TIR12,AOD9785,AOD97TIR85]
- True Day Night
[AOD94TIR36,AOD94TIR12,AOD97TIR12,AOD97TIR85,AOD93TIR36]
- 100ft IR Range
[AOD94TIR36,AOD94TIR12,AOD97TIR12,AOD97TIR85,AOD93TIR36]
- 3.6mm fixed board lens
[AOD9436,AOD94TIR36,AOD9336,AOD93TIR36]
- 3.3~12mm Varifocal Auto Iris lens
[AOD9412,AOD94TIR12,AOD9712,AOD97TIR12]
- 2.9~8.5mm Omnifocus 3x zoom & Varifocal Auto Iris
- lens [AOD9785, AOD97TIR85]
- Smart 3D-DNR
[AOD9436,AOD94TIR36,AOD9412,AOD94TIR12,AOD9712,AOD97TIR12,AOD9785,AOD97TIR85]
- Smart BLC
[AOD9436,AOD94TIR36,AOD9412,AOD94TIR12,AOD9712,AOD97TIR12,AOD9785,AOD97TIR85]
- WDR (Wide Dynamic Range) [AOD9712, AOD97TIR12, AOD9785, AOD97TIR85]
- Night-up
[AOD9436,AOD94TIR36,AOD9412,AOD94TIR12,AOD9712,AOD97TIR12,AOD9785,AOD97TIR85]
- Live DPC (Defective Pixel Cancellation)
- 12V DC only (AC/DC dual power is optionally available)

Dimensions (Unit: mm)



Specification

-AOD9436,AOD94TIR36,AOD9412, AOD94TIR12

CCD Type	1/3" 410K Pixels Color(NTSC)	1/3" 470k Pixels Color (PAL)
Total number of pixels	811(H) X 508 (V) (NTSC)	795(H) X 596(V) (PAL)
Min illumination	0.14Lux [(F1.2, 30IRE), (at COLOR)] 0.03Lux [(F1.2, 30IRE), (at TDN(B/W))]	
Resolution	600 TV Lines [at COLOR] / 620 TV Lines [at TDN(B/W)]	
LENS	3.6mm fixed board lens (AOD9436, AOD94TIR36) 3.3~12mm Vafirocal lens (AOD9412, AOD94TIR12)	
Voltage	DC 12V (10V ~ 16V) AC 24V (20V ~ 28V)	
Power Consumption	LED OFF = DC : Max 1.8 [W] AC : Max 2.4 [W] LED ON = DC : Max 4.6 [W] AC : Max 4.9 [W]	
Shutter speed	1/60s - 1/100,000s(NTSC)	1/50s - 1/100,000s (PAL)
S/N Ratio	52dB or more(AGC off)	
Gamma	0.45	
Sync System	Internal	
Operation temp	10°C ~ +50°C	
In storage temp	20°C ~ +70°C	
Operation humidity	Under 90% (Non-condensing)	

-AOD9712,AOD97TIR12,AOD9785, AOD97TIR85

CCD Type	1/3" 410K Pixels Color(NTSC)	1/3" 470k Pixels Color (PAL)
Total number of pixels	811(H) X 508 (V) (NTSC)	795(H) X 596(V) (PAL)
Min illumination	0.14Lux [(F1.2, 30IRE), (at COLOR)] 0.03Lux [(F1.2, 30IRE), (at TDN(B/W))]	
Resolution	600 TV Lines [at COLOR] / 620 TV Lines [at TDN(B/W)]	
LENS	3.3~12mm Vafirocal lens (AOD9712, AOD97TIR12) 2.9~8.5mm Omnifocus 3x-zoom Vafirocal lens (AOD9785,AOD97TIR85)	
Voltage	DC 12V (10V ~ 16V) AC 24V (20V ~ 28V)	
Power Consumption	LED OFF = DC : Max 1.8 [W] AC : Max 2.4 [W] LED ON = DC : Max 4.6 [W] AC : Max 4.9 [W]	
Shutter speed	1/60s - 1/100,000s(NTSC)	1/50s - 1/100,000s (PAL)
S/N Ratio	52dB or more(AGC off)	
Gamma	0.45	
Sync System	Internal	
Operation temp	10°C ~ +50°C	
In storage temp	20°C ~ +70°C	
Operation humidity	Under 90% (Non-condensing)	

-AOD9336, AOD93TIR36

CCD Type	1/3" 410K Pixels Color(NTSC)	1/3" 470k Pixels Color (PAL)
Total number of pixels	811(H) X 508 (V) (NTSC)	795(H) X 596(V) (PAL)
Min illumination	0.14Lux [(F1.2, 30IRE), (at COLOR)] 0.03Lux [(F1.2, 30IRE), (at TDN(B/W))]	
Resolution	540 TV Lines [at COLOR] / 560 TV Lines [at TDN(B/W)]	
LENS	3.6mm fixed board lens (AOD9336, AOD93TIR36)	
Voltage	DC 12V (10V ~ 16V) AC 24V (20V ~ 28V)	
Power Consumption	LED OFF = DC : Max 1.8 [W] AC : Max 2.4 [W] LED ON = DC : Max 4.6 [W] AC : Max 4.9 [W]	
Shutter speed	1/60s - 1/100,000s(NTSC)	1/50s - 1/100,000s (PAL)
S/N Ratio	50dB or more(AGC off)	
Gamma	0.45	
Sync System	Internal	
Operation temp	10°C ~ +50°C	
In storage temp	20°C ~ +70°C	
Operation humidity	Under 90% (Non-condensing)	

