



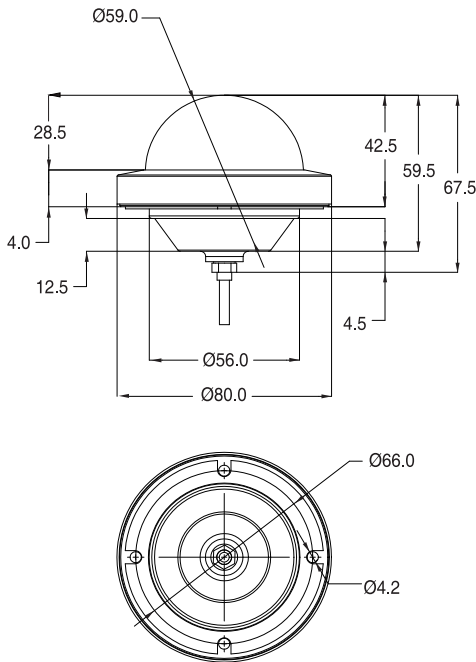
# Outdoor Micro Dome Camera

600TV/480TV lines high resolution Micro dome CCTV camera

## Features

- 1/3" High Resolution CCD  
[AMD9436, AMD94TIR36]
- 600TV lines  
[AMD9436, AMD94TIR36]
- True Day Night  
[AMD94TIR36, AMD100TIR36]
- 30ft IR Range  
[AMD94TIR36, AMD100TIR36]
- 3,6mm fixed board lens
- Smart 3D DNR  
[AMD9436, AMD94TIR36]
- Night-up  
[AMD9436, AMD94TIR36]
- Secondary Video-BNC Output
- 12VDC only

## Demensions (Unit: mm)



## Specification

### AMD9436, AMD94TIR36

CCD Type	1/3" 410K Pixels Color(NTSC)	1/3" 470k Pixels Color (PAL)
Total number of pixels	811(H) X 508 (V) (NTSC)	795(H) X 596(V) (PAL)
Min illumination	0.14Lux [(F1.2, 30IRE), (at COLOR)] 0.03Lux [(F1.2, 30IRE), (at TDN(B/W))]	
Resolution	600 TV Lines [at COLOR] / 620 TV Lines [at TDN(B/W)]	
LENS	3,6mm fixed board lens	
Voltage	DC 12V only (10V ~ 16V)	
Power Consumption	LED OFF = DC : Max 1.1 [W] LED ON = DC : Max 3.2 [W]	
Shutter speed	1/60s - 1/100,000s(NTSC)	1/50s - 1/100,000s (PAL)
S/N Ratio	52dB or more(AGC off)	
Gamma	0.45	
Sync System	Internal	
Operation temp	10°C ~ +50°C	
In storage temp	20°C ~ +70°C	
Operation humidity	Under 90% (Non-condensing)	

### AMD100T36, AMD100TIR36

CCD Type	1/3' CMOS SENSOR
Total number of pixels	742(H) X 552(V)
Min illumination	0.08Lux [(F1.2, 30IRE), (at COLOR)] 0.01Lux [(F1.2, 30IRE), (at TDN(B/W))]
Resolution	480 TV Lines [at COLOR] / 520 TV Lines [at TDN(B/W)]
LENS	3,6mm fixed board lens
Voltage	DC 12V only (10V ~ 16V)
Power Consumption	LED OFF = DC : Max 1.5 [W] LED ON = DC : Max 3.6 [W]
WDR	120dB (Max)
S/N Ratio	48dB or more(AGC off)
Gamma	0.45
Sync System	Internal
Operation temp	10°C ~ +50°C
In storage temp	20°C ~ +70°C
Operation humidity	Under 90% (Non-condensing)



### 3D-DNR Digital Noise Reduction



### WDR Wide Dynamic Range

