



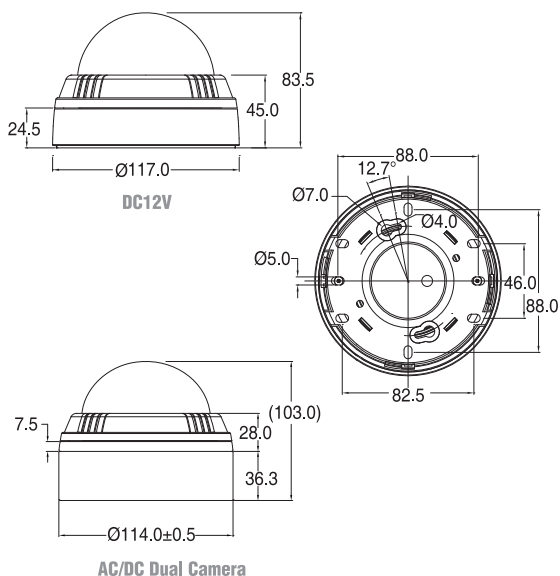
Indoor Dome Camera

600TV lines high resolution indoor dome CCTV camera

Features

- 1/3" High Resolution CCD
- 600TV lines [AID9436, AID94TIR36, AID9412, AID9736, AID97TIR36, AID9712]
- Smart 3D-DNR [AID9436, AID94TIR36, AID9736, AID97TIR36, AID9336, AID93TIR36]
- HME (Highlight Masking Exposure)
- Private Masking (8) [AID9436, AID94TIR36, AID9412, AID9736, AID97TIR36, AID9712]
- Live DPC (Defective Pixel Cancellation)
- Easy Focus Tool
- Secondary Video-BNC Output
- AC/DC dual power
- True Day Night / 100ft IR Range [AID94TIR36, AID97TIR36, AID93TIR36]
- 3.6mm fixed board lens [AID9436, AID94TIR36, AID9736, AID97TIR36, AID9336, AID93TIR36]
- 3.3~12mm Varifocal Auto Iris lens [AID9412, AID9712]

Dimensions (Unit: mm)



Specification

-AID9436, AID94TIR36, AID9412

CCD Type	1/3" 410K Pixels Color(NTSC)	1/3" 470k Pixels Color (PAL)
Total number of pixels	811(H) X 508 (V) (NTSC)	795(H) X 596(V) (PAL)
Min illumination	0.14Lux [(F1.2, 30IRE), (at COLOR)] 0.03Lux [(F1.2, 30IRE), (at TDN(B/W))]	
Resolution	600 TV Lines [at COLOR] / 620 TV Lines [at TDN(B/W)]	
LENS	3.6mm fixed board lens (AID9436, AID94TIR36) 3.3~12mm Vafirocal lens (AID9412)	
Voltage	DC 12V (10V ~ 16V) AC 24V (20V ~ 28V)	
Power Consumption	LED OFF = DC : Max 1.8 [W] AC : Max 2.4 [W] LED ON = DC : Max 4.6 [W] AC : Max 4.9 [W]	
Shutter speed	1/60s - 1/100,000s(NTSC)	1/50s - 1/100,000s (PAL)
S/N Ratio	52dB or more(AGC off)	
Gamma	0.45	
Sync System	Internal	
Operation temp	10°C ~ +50°C	
In storage temp	20°C ~ +70°C	
Operation humidity	Under 90% (Non-condensing)	

-AID9736, AID97TIR36, AID9712

CCD Type	1/3" 410K Pixels Color(NTSC)	1/3" 470k Pixels Color (PAL)
Total number of pixels	811(H) X 508 (V) (NTSC)	795(H) X 596(V) (PAL)
Min illumination	0.14Lux [(F1.2, 30IRE), (at COLOR)] 0.03Lux [(F1.2, 30IRE), (at TDN(B/W))]	
Resolution	600 TV Lines [at COLOR] / 620 TV Lines [at TDN(B/W)]	
LENS	3.6mm fixed board lens (AID9736, AID97TIR36) 3.3~12mm Vafirocal lens (AID9712)	
Voltage	DC 12V (10V ~ 16V) AC 24V (20V ~ 28V)	
Power Consumption	LED OFF = DC : Max 1.8 [W] AC : Max 2.4 [W] LED ON = DC : Max 4.6 [W] AC : Max 4.9 [W]	
Shutter speed	1/60s - 1/100,000s(NTSC)	1/50s - 1/100,000s (PAL)
S/N Ratio	52dB or more(AGC off)	
Gamma	0.45	
Sync System	Internal	
Operation temp	10°C ~ +50°C	
In storage temp	20°C ~ +70°C	
Operation humidity	Under 90% (Non-condensing)	

-AID9336, AID93TIR36

CCD Type	1/3" 410K Pixels Color(NTSC)	1/3" 470k Pixels Color (PAL)
Total number of pixels	811(H) X 508 (V) (NTSC)	795(H) X 596(V) (PAL)
Min illumination	0.14Lux [(F1.2, 30IRE), (at COLOR)] 0.03Lux [(F1.2, 30IRE), (at TDN(B/W))]	
Resolution	540 TV Lines [at COLOR] / 560 TV Lines [at TDN(B/W)]	
LENS	3.6mm fixed board lens (AID9336, AID93TIR36)	
Voltage	DC 12V (10V ~ 16V) AC 24V (20V ~ 28V)	
Power Consumption	LED OFF = DC : Max 1.8 [W] AC : Max 2.4 [W] LED ON = DC : Max 4.6 [W] AC : Max 4.9 [W]	
Shutter speed	1/60s - 1/100,000s(NTSC)	1/50s - 1/100,000s (PAL)
S/N Ratio	50dB or more(AGC off)	
Gamma	0.45	
Sync System	Internal	
Operation temp	10°C ~ +50°C	
In storage temp	20°C ~ +70°C	
Operation humidity	Under 90% (Non-condensing)	

