



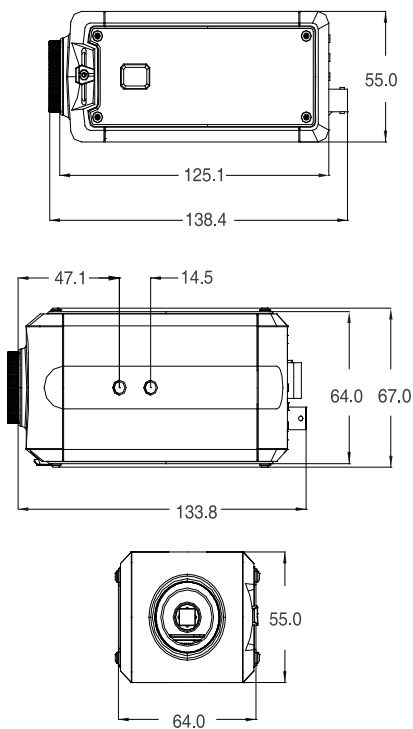
Color Box Camera

600TV lines high resolution standard simple box camera

Features

- 1/3" High Resolution CCD
- 600TV lines [AB9412T,AB9712T]
- True Day Night [AB9412T,AB9712T,AB9312T]
- Smart 3D-DNR [AB9412T,AB9712T]
- Sense-up (x1024)
- HME (Highlight Masking Exposure)
- Private Masking (8) [AB9412T,AB9712T]
- Night-up
- Live DPC (Defective Pixel Cancellation)
- Secondary Video-BNC Output
- 12VDC only
- WDR (Wide Dynamic Range) [AB9712T]

Dimensions (Unit: mm)



Specification

AB9412T

CCD Type	1/3" 410K Pixels Color(NTSC)	1/3" 470k Pixels Color (PAL)
Total number of pixels	811(H) X 508 (V) (NTSC)	795(H) X 596(V) (PAL)
Min illumination	0.14Lux [(F1.2, 30IRE), (at COLOR)] 0.03Lux [(F1.2, 30IRE), (at TDN(B/W))]	
Resolution	600 TV Lines [at COLOR] / 620 TV Lines [at TDN(B/W)]	
Voltage	DC 12V (10V ~ 16V) AC 24V (20V ~ 28V)	
Power Consumption	DC : Max 1.8 [W] AC : Max 2.4 [W]	
Shutter speed	1/60s - 1/100,000s(NTSC)	1/50s - 1/100,000s (PAL)
S/N Ratio	52dB or more(AGC off)	
Gamma	0.45	
Sync System	Internal	
Operation temp	10°C ~ +50°C	
In storage temp	20°C ~ +70°C	
Operation humidity	Under 90% (Non-condensing)	

AB9712T

CCD Type	1/3" 410K Pixels Color(NTSC)	1/3" 470k Pixels Color (PAL)
Total number of pixels	811(H) X 508 (V) (NTSC)	795(H) X 596(V) (PAL)
Min illumination	0.14Lux [(F1.2, 30IRE), (at COLOR)] 0.03Lux [(F1.2, 30IRE), (at TDN(B/W))]	
Resolution	600 TV Lines [at COLOR] / 620 TV Lines [at TDN(B/W)]	
Voltage	DC 12V (10V ~ 16V) AC 24V (20V ~ 28V)	
Power Consumption	DC : Max 1.8 [W] AC : Max 2.4 [W]	
Shutter speed	1/60s - 1/100,000s(NTSC)	1/50s - 1/100,000s (PAL)
S/N Ratio	52dB or more(AGC off)	
Gamma	0.45	
Sync System	Internal	
Operation temp	10°C ~ +50°C	
In storage temp	20°C ~ +70°C	
Operation humidity	Under 90% (Non-condensing)	

AB9312T, AB9312

CCD Type	1/3" 410K Pixels Color(NTSC)	1/3" 470k Pixels Color (PAL)
Total number of pixels	811(H) X 508 (V) (NTSC)	795(H) X 596(V) (PAL)
Min illumination	0.14Lux [(F1.2, 30IRE), (at COLOR)] 0.03Lux [(F1.2, 30IRE), (at TDN(B/W))]	
Resolution	540 TV Lines [at COLOR] / 560 TV Lines [at TDN(B/W)]	
Voltage	DC 12V (10V ~ 16V) AC 24V (20V ~ 28V)	
Power Consumption	DC : Max 1.8 [W] AC : Max 2.4 [W]	
Shutter speed	1/60s - 1/100,000s(NTSC)	1/50s - 1/100,000s (PAL)
S/N Ratio	50dB or more(AGC off)	
Gamma	0.45	
Sync System	Internal	
Operation temp	10°C ~ +50°C	
In storage temp	20°C ~ +70°C	
Operation humidity	Under 90% (Non-condensing)	



3D-DNR Digital Noise Reduction



WDR Wide Dynamic Range

