

# Clebo A5M

## IP 5MEGAPIXEL BOX CAMERA



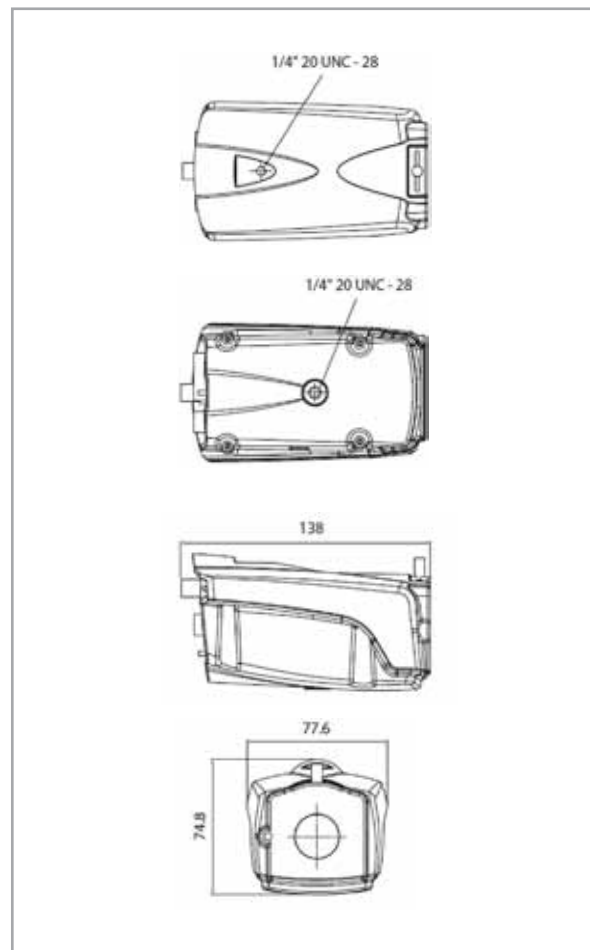
### Specification

		Clebo A5M
System Information	CPU	Embedded ARM 1136J-S @ maximum 528 MHz
	Flash	512 MB
	RAM	256 MB
CAMERA	Image Sensor	Progressive scan RGB CMOS 1/3.2"
	Total Pixels	2592 (H) x 1944 (V)
	Scanning System	Progressive
	Lens Type	Auto(DC auto iris)/Manual
	Lens Mount	C/CS Mount
	Min. Illumination	TBD
	Maximum SNR	Above 37 dB(TBD)
	Wide Dynamic Range	57 dB(TBD)
	Video Output	CVBS : 1.0 Vp-p / 75Ω composite
	Day/Night Control	Disable / Enable
IMAGE SETTING	White Balance	Auto / Manual
	Backlight	Backlight compensation / Digital WDR contrast enhancement
	AGC	Auto / Manual
	Sens-up	Slow shutter function for low light
	DNR	3D noise reduction filtering
	Electronic Shutter Control	Auto(1/1~1/8,000) / Manual
	Flicker Control	Flicker suppression
	Flip / Mirror	Flip / Mirror / 90 degree rotation
	Privacy Zones	Privacy mask
	Etc.	External I/O Terminals
Alarm Triggers		Video motion detection, manual trigger, digital input
Alarm Events		Event notification using digital output, RTP, SMTP
VIDEO	Storage	Micro SD Card(max 32GB)
	Image Compression	H.264 MP/HP Level 5.0 and MJPEG
	Resolution Scaling	2592x1944(5 MP) to 192x144
	Image Frame Rate	12fps (@5M), 20fps (@3M), Full HD 30fps at 1920x1080
	Video streaming	2 simultaneous streams
AUDIO	Data rate control	CBR/VBR
	Audio streaming	Audio input/output (full duplex)
	Audio Compression	G.711 PCM 8 kHz
	Audio Input	Line input
NETWORK	Audio Output	Line output
	Network	10Base-T/100 BaseTX Ethernet
	Cabling Type	CAT5
	Connector	RJ-45
	API	ONVIF Profile S
MECHANICAL	Security	User account and Password Protection, IP address filtering
	Protocol	IPv4/v6, DHCP, PPPoE, FTP, HTTP, RTP/RTSP, SNMP, SMTP, UPnP, NTP, DNS, DDNS, TCP, UDP, IGMP, ICMP
	Dimensions (LxWxH)	137.7mm x 77.7mm x 74.8mm
ELECTRICAL	Weight	350 g
	Power Source	VDC: 12 V, PoE: IEEE802.3af Class 2 compliant
	Power Consumption	Max. 3.10 W (DC 12V), Max. 3.65 W (PoE)
ENVIRONMENTAL	Power Connector	DC Jack
	Operating Temperature	-10 °C to +50 °C (14 °F to 122 °F)
	Storage Temperature	-10 °C to +70 °C (14 °F to 158 °F)
CERTIFICATIONS	Humidity	0% to 90% (non-condensing)
	Safety	
	Electromagnetic Emissions & Immunity	RoHS, KC, FCC, CE(TBD)

### Features

- 5 Megapixels
- Dual Codecs (H.264, MJPEG)
- Electronic Day and Night
- Power over Ethernet
- ONVIF Compliant
- Micro SD Card
- Privacy Mask Zone
- WDR

### Demension



\*Specification & Design are subject to change without prior notice