

Product Highlight

IP HYBRID SOLUTION



IP Camera

IP Solution

Embedded DVR

Mobile DVR



TRIUM

SD SERIES (D1 REALTIME)

- H.264 Codec
- Dual Monitoring : Independent Display
- E-SATA Multi External Storage.
- Built in Mirroring
- Full HD OUTPUT : 1920X1080



FD SERIES (HD SDI DVR)

- H.264 Codec
- HDMI, VGA Display
- Spot out : CVBS Output x2, Audio Output x2
- Triple Streaming



Clebo - IP Speed Dome

- Enhanced H.264 Compression
- 10X, 20X, 2MP(1080P)
- Dual-Streaming Technology
- Indoor / Outdoor Models



Clebo - IP Dome

- ONVIF
- Dual streaming
- Power over Ethernet
- 2MP (1080P)
- Indoor/Outdoor (Weather proof)



Clebo - IP Mini Dome

- ONVIF
- Dual streaming
- Power over Ethernet
- 2MP (1080P)



eNVR

- Embedded H.264 HD NVR - Java
- ONVIF Compliance and supports Megapixel cameras
- Recording on internal HDD or NAS (SMB, iSCSI) through dual Gigabit Ethernet
- Convenient and easy remote connection through various web browsers



Mobile DVR (HDV08P)

- 8ch Mobile DVR
- Built In GPS/G Sensor
- Fully Tested for Shock and Vibration



Mobile DVR (HDV04P)

- 4ch Compact Size DVR
- Built In Power Sources for Camera and Video
- Dual Fans for Temperature Control



<http://www.triumsecurity.com/support-documents.html>

DVR9000 Series

High Quality Picture



About

Netsafe 9000 series is premier PC DVR based on cutting-edge H.264 compression supporting all channel real-time live view and recording at D1. It also allows for multiple client access, providing complete remote control of numerous third party PTZ cameras, various digital searches and most DVR functions and setup.

Specification

General	NetSafe DVR9116
Video Format	NTSC/PAL
Video Input	16BNC 1 VGA
Video Output	16 BNC (Loop) 1CH CCTV Out (4CH Optional)
Display Mode	1,4,7,9,10,13,16 Sequecce
Display speed	Real-Time Live Display
Recording Resolution	720x480/720x240/360x240 (NTSC) / 720X576/720X288/ 360X288 (PAL)
Audio In/Out	16RCA/1RCA
Alarm In/Out	16/16
Detailed Spec.	
Recording Rate	480fps /400fps (@D1)
Compression Type	Enhanced H.264
Operating System	Microsoft Window 7 Embedded
Storage	Built-in 500GB (Up to 6HDDs), DVD-RW
Backup Interface	DVD-RW,USB memory, External HDD/ODD, Network Backup
Backup Format	Backup Viewer(Exclusive File Format)-Export in AVI, JPEG
Network Connection	Gigabit Ethernet(10/100/1000Mbps)
RS232	POS/ATM or External Keyboard Controller
RS485/422	PTZ control or External Keyboard Controller
USB	USB 2.0 (480Mbps)
Additional Functions	
Recording Mode	Event-Driven (Motion,Sensor), Schedule, Instant, Intensive Recording Backup ,Preview, Object, Index, Bookmark, Panorama(Optional), POS (optional)
Search Mode	Panorama(Optional), POS (optional)
Motion Detection	Motion detection Areas and Sensitivity Setting
Tolerance	Watchdog, External UPS (Optional)
Water mark	Support
Two-away Audio	Support
Others	Remote S/W,(Remote, iDVR, Emergency Agent),Backup Viewer, Image Cleaning, SYNC
Dimension & Environment	
Dimension (W x H x D)	440mm x 177mm x 550mm (4U)
Weight	20kg
Operating Temperature	5℃~40℃
Humidity	10~80%
Power Requirement	100V~240V AC
Power consumption	130W

*Specification & Design are subject to change without prior notice

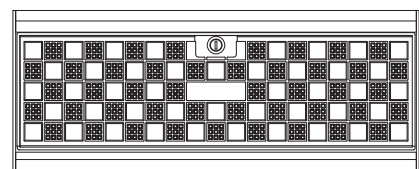
Features

- Real-Time Live Display
- Hardware based H.264
- Hybrid option
- Pentaplex
- Intuitive User-friendly interface
- In-live Search
- System Auto-recovery (H/W watchdog)
- Support Numerous 3rd party devices
- Multi-scenario/Event-driven Recording schedule
- Digital Signature – Prevent forging of video
- Multi-scenario/ Event-driven Recording schedule
- Two-way audio
- Digital Signature – Prevent forging of video

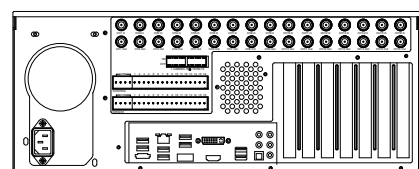
Software

- Mobile Remote Viewer (iPhone, Android)
- NxMS software (CMS)

Demension



DVR9116 Front View



DVR9116 Rear View

DVR8000 Series



Digital Video Recorder-High Performance



About

The 8000 Series cover the range of 32,16 channel DVR, recording 400fps and 100 fps configurations. The NetSafe series was designed by customer feedback and faultless quality control processing. It is truly a reliable and cost effective product which can cover a variety of security situations.

Features

- Real-Time Live Display
- User-friendly interface featuring 'quick-setup' technology.
- High Compression algorithm developed by own technology.
- Search and monitor on the go with Win4NET's mobile app.

Specification

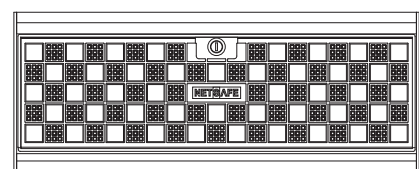
General	NetSafe DVR8032	NetSafe DVR8016
Video Format	NTSC/PAL	
Video Input	32BNC	16BNC
Video Output	NTSC/PAL	
	-	16 RCA cable (Loop)
	2CH CCTV Out (4CH Optional)	1CH CCTV Out (4CH Optional)
Display Mode	1,4,7,9,10,13,16 Sequecce	
Display speed	Real-Time Live Display	
Recording Resolution	720x480/720x240/360x240 (NTSC) / 720X576/720X288/ 360X288 (PAL)	
Audio In/Out	16RCA/1RCA	
Alarm In/Out	16/16	16/16
Detailed Spec.		
Recording Rate	480/400fps (@CIF)	
Compression Type	Enhanced H.264	
Operating System	Microsoft Window 7 Embedded	
Storage	Built-in 500GB (Up to 6HDDs), DVD-RW	
Backup Interface	DVD-RW,USB memory, External HDD/ODD, Network Backup	
Backup Format	Backup Viewer(Exclusive File Format)-Export in AVI, JPEG	
Network Connection	Gigabit Ethernet(10/100/1000Mbps)	
RS232	POS/ATM or External Keyboard Controller	
RS485/422	PTZ control or External Keyboard Controller	
USB	USB 2.0 (480Mbps)	
Additional Functions		
Recording Mode	Event-Driven (Motion,Sensor), Schedule, Instant, Intensive Recording	
Search Mode	Backup ,Preview, Object, Index, Bookmark, Panorama(Optional), POS (optional)	
Motion Detection	Motion detection Areas and Sensitivity Setting	
Tolerance	Watchdog, External UPS (Optional)	
Water mark	Support	
Two-away Audio	Support	
Others	Remote S/W,(Remote, iDVR, Emergency Agent),Backup Viewer, Image Cleaning, SYNC	
Dimension & Environment		
Dimension (W x H x D)	440mm x 177mm x 550mm (4U)	
Weight	20kg	
Operating Temperature	5℃~40℃	
Humidity	10~80%	
Power Requirement	100V~240V AC	
Power consumption	130W	

*Specification & Design are subject to change without prior notice

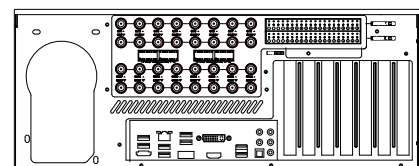
Software

- Mobile Remote Viewer (iPhone, Android)
- NxMS software (CMS)

Demension



DVR8032 Front View



DVR8032 Rear View

SH9000/ 7000 Series

Full HD Monitoring, Slim Type Embedded DVR



About

Trium SH series is premier embedded DVR based on cutting-edge H.264 compression supporting all channel real-time live view and recording at D1 or CIF resolution. The intuitive and user-friendly interface makes navigation and system functions simple to perform.

Specification

General	Trium SH9000			Trium SH7000	
	SH9016	SH9008	SH9004	SH7016	SH7008
Video Format	NTSC / PAL				
Video Input	16BNC	8BNC	4BNC	16BNC	8BNC
Video Output	1 BNC, 1 VGA, 1 HDMI(1080p) 1 BNC (Spot)			1BNC, 1 VGA	
Display mode	16/9/4/1 Sequence	8/4/1 Sequence	4/1 Sequence	16/9/4/1 Sequence	8/4/1 Sequence
Display speed	Real-Time Live Display				
Recording Resolution	4CIF(Full D1), 2CIF(Half D1), CIF				
Audio In/Out	16RCA/1RCA	8RCA/1RCA	4RCA/1RCA	16RCA/1RCA	8RCA/1RCA
Alarm In/Out	16/4	8/2	4/1	4/1	4/1
Detailed Spec.					
Recording Rate	D1 real-time			CIF real-time	
Compression Type	Enhanced H.264				
Operating System	Embedded Linux - Built in flash memory				
Storage	3 HDD(Without ODD)		2 HDD	2 HDD	
External Storage	USB, eSATA			USB	
HDD Protection	RAID 1/5		RAID 1	-	
Backup Interface	DVD-RW, USB, Network, NAS, eSATA		DVD-RW, USB, Network, NAS		
Backup Format	Backup Viewer (Exclusive File Format) - Export AVI, JPEG				
Network Connection	Ethernet /100				
PTZ Interface	RS485 Terminal Block				
POS/ATM Interface	8 RS232	4 RS232			
Additional Functions					
Recording Mode	Continuous, Event (Sensor, Motion, Audio, Pattern, Text), Schedule				
Search Mode	By Date & Time, First, Last, System Log, Event Log, Multi-Channel Playback				
Motion Detection	Motion detection Areas and Sensitivity Setting				
Tolerance	Watchdog, External UPS (Optional)				
Water mark	Support				
Two-way Audio	Support				
Others	CMS, Web Viewer, Mobile Viewer				
Dimension & Environment					
Dimension (W x H x D)	360(W) x 66(H) x 420(D)				
Weight	6kgs				
Operating Temperature	5°C ~ 40°C				
Humidity	10 ~ 80%				
Power Requirement	DC 12V / 5A (Adaptor)				
Power consumption	60W				

*Specification & Design are subject to change without prior notice

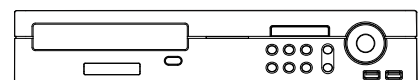
Features

- Enhanced H.264 Video Compression
- D1/CIF Real-time Recording
- All Channel Audio Recording
- 1.5U Slim size and User-friendly design
- RAID 1/5 HDD Protection
- USB, eSATA, NAS Backup
- Two Way Audio
- Smart Phone Viewer
- NTP, DST, DDNS, DHCP
- Professional level central management software.
- Simple to operate and space saving enclosure.
- Search and monitor on the go with Trium's mobile app.

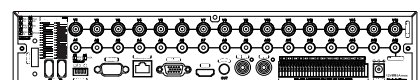
Software

- Mobile Remote Viewer (iPhone, Android)
- NxMS software (CMS)
- Advanced Web viewer

Dimension



SH9000 Front View



SH9000 Rear View

PSE Series

Full HD Monitoring, Premium Standalone



About

PSE-HD series is the highest version of POS-Watch DVR and supports the image quality and real-time 480/400 FPS. It has improved data stability by RAID function. It also supports Hexaplex to run all function simultaneously.

Specification

General		PSE-1648F
Video Format		NTSC/PAL
Video Output		1 BNC, 1 VGA, 1 HDMI
Display Mode		16/9/4/1 Sequence
Display Speed		Real-Time Live Display
Recording Resolution		4CIF(Full D1), 2CIF(Half D1), CIF
Audio Input		16RCA/1RCA
Alarm In/Output		16/4
Detailed Spec.		
Recording Rate		D1 real-time
Compression Type		Enhanced H.264
Operating System		Embedded Linux - Built in flash memory
Storage		6 HDD
External Storage		USB, eSATA
HDD Protection		RAID 1/5
Backup Interface		DVD-RW, USB, Network, NAS, eSATA
Backup Format		Backup Viewer (Exclusive File Format) - Export AVI, JPEG
Network Connection		Ethernet /1000
PTZ Interface		RS485 Terminal Block
POS/ATM Interface		8 RS232
Additional Functions		
Recording Mode		Continuous, Event (Sensor, Motion, Audio, Pattern, Text), Schedule
Motion Detection		By Date& Time, First, Last, System Log, Event Log, Multi-Channel Playback
Motion Detection Tolerance		Motion detection Areas and Sensitivity Setting Watchdog, External UPS (Optional)
Water mark		Support
Two-way Audio		Support
Others		Remote Software, CMS, Web Viewer, Mobile Viewer
Dimension & Environment		
Dimension(W*D*H)		435(W)x88(H)x455(D)mm
Weight(Without HDD)		10kgs
Operating Temperature		5°C~40°C
Humidity		10~80%
Power		AC90~250V (50~60HZ)
Power consumption		200W

*Specification & Design are subject to change without prior notice

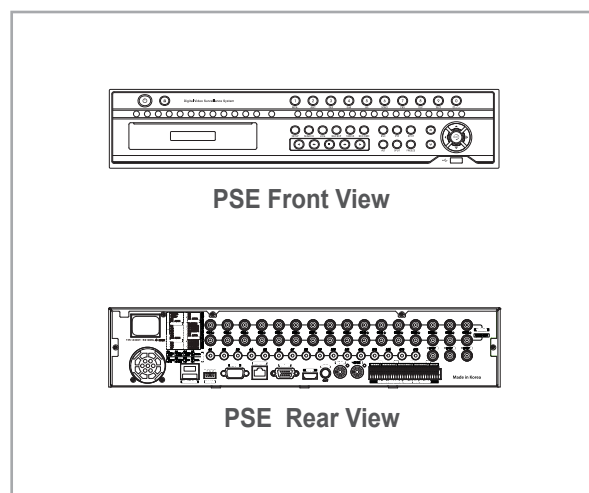
Features

- Enhanced H.264 Video Compression
- HDMI Display (1080p)
- D1(4CIF) Real-time Recording
- RAID1/5 HDD Protection
- POS/ATM Interface
- USB, eSATA, NAS Backup
- Still image capture in Full HD resolution
- Two Way Audio
- Smart Phone Viewer
- NTP, DST, DDNS, DHCP
- All Channel Audio Recording.
- HDMI interface for Full HD 1080p display
- User-friendly interface featuring 'quick-setup' technology.
- Search and monitor on the go with Win4net mobile app.

Software

- Mobile Remote Viewer (iPhone, Android)
- NxMS software (CMS)
- Advanced Web viewer

Dimension



Trium-i

Total Network Management Solution



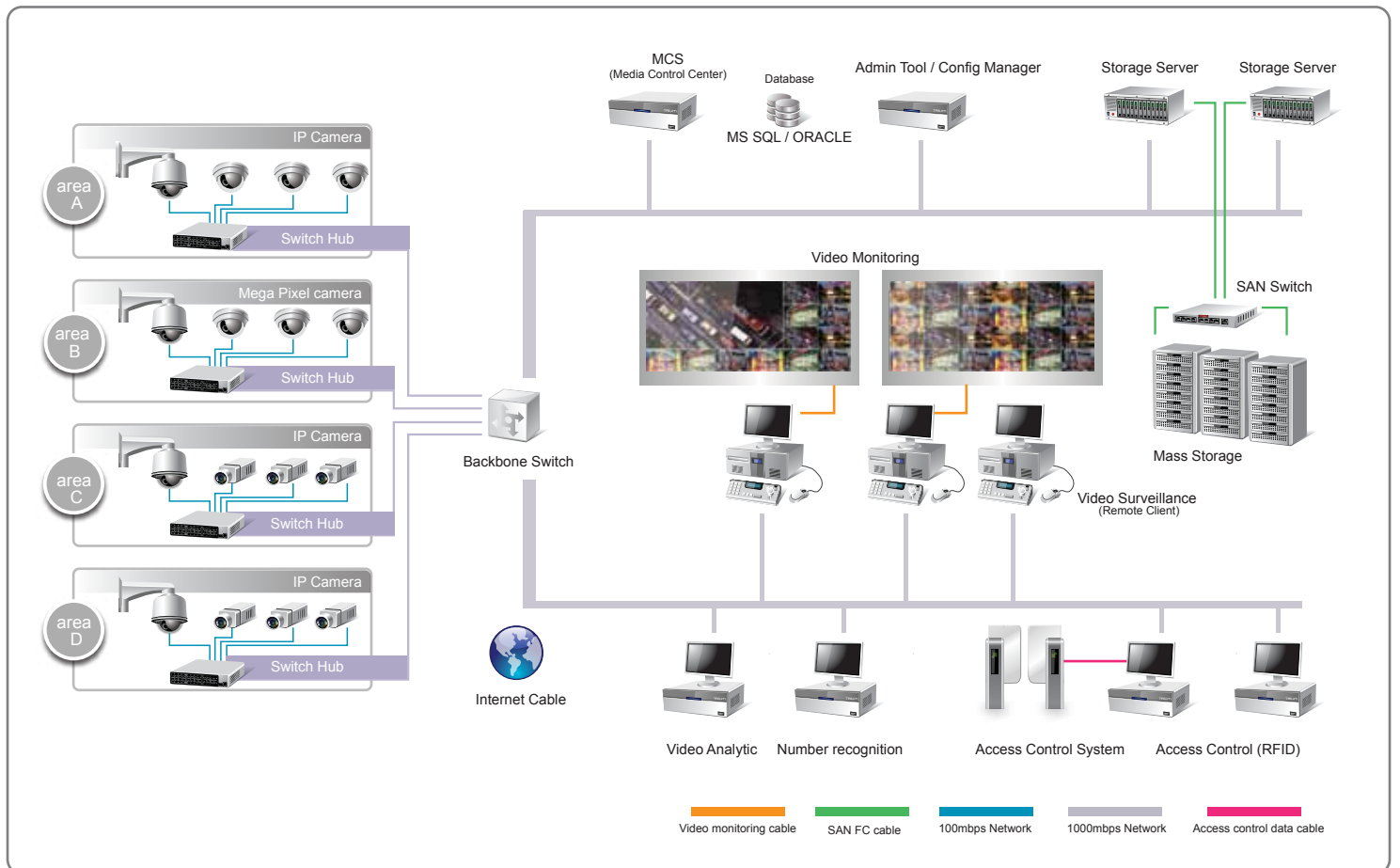
About

Trium i is designed to manage security processes effectively and systematically from small scale (more than 16chs) to large scale systems (more than 8,000chs). It includes all the latest functions required by today's security professional and in a convenient way. Being able to process many channels of data simply, it controls image, audio, alarm data and metadata information on diversified environments as a complete enterprise platform. The software will be referred to and is classified as a VMS(Video Management System).

Features

- Connectivity and Compatibility Between
- Heterogeneous Devices
- Expandable Server / Client Structure
- Package IP devices Management
- Optimum Alarm and Event management
- Superior System Security
- Fault Tolerant System (Fail Over function)
- Search on Multiple monitors and Back up (Connectivity with a maximum 280 chs)

Diagram



*Specification & Design are subject to change without prior notice

Trium-w

Construction Monitoring Software



About

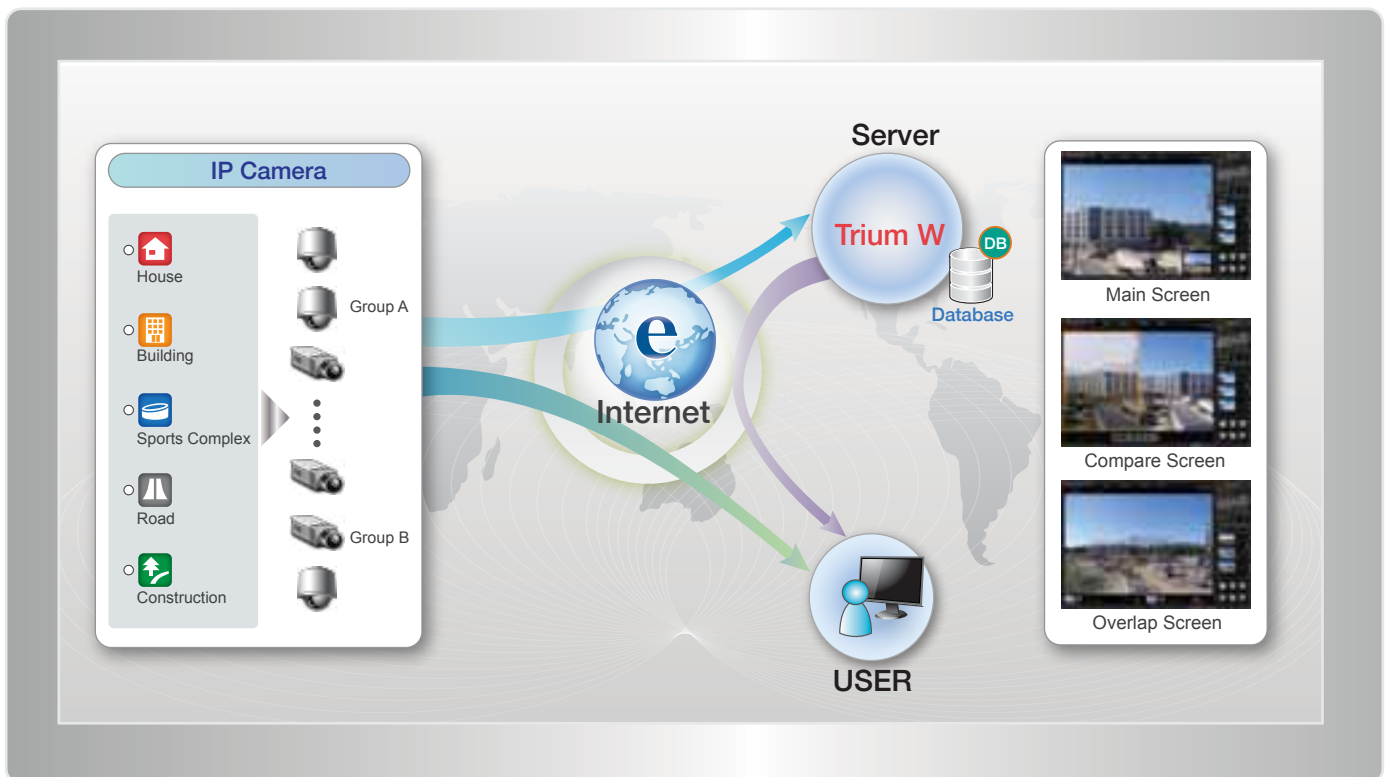
The Trium W construction monitoring software is designed and build for monitoring building projects in the most demanding environments. The software allows the user to connect and control multiple construction camera via the internet.

In real life situation when the construction management team does not always operate on site the construction monitoring software is the best solution. The Construction manager can simply connect to the camera via the internet and our unique software will allow the user to view current site and its history. Then highlight areas of interest on the construction site to other members of the construction team. The aid of a picture ensures simple communication and that the project runs smoothly and in less time.

Features

- Supports Megapixel cameras
- Saved archived images for a long period
- Supports up X number of remote user connections.
- Zoom in and out areas of interest.
- Save images, make measurements and send to other users.
- Remotely configure the camera
- Compare images using Compare settings separate screen and overlap functions
- Set location types by name and icon format for easy management
- Create Events and select favorites site connections.
- Time selection search up to a month of images on one screen

Diagram



*Specification & Design are subject to change without prior notice

NVR Box+JAVA Client

Java platform Embedded HD NVR



About

Java platform Embedded HD NVR

Specification

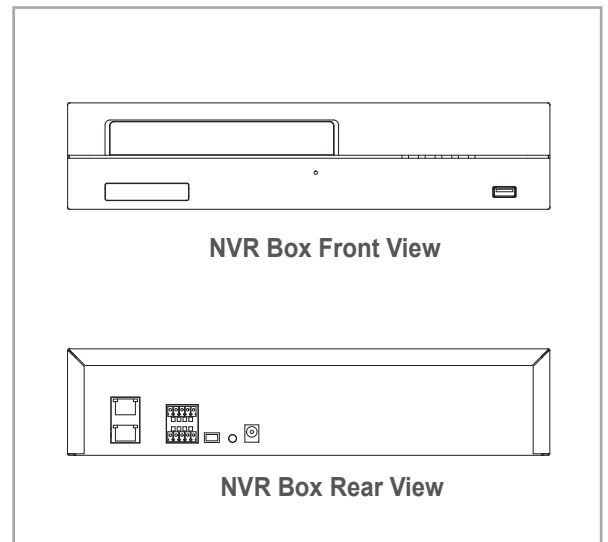
Model		i208	i216
System	CPU	600Mhz Dual	600Mhz Dual
	Flash	32M	32M
	RAM	512MBytes	512MBytes
	Compression	H.264	
	Embedded OS	Linux	
I/P Camera	Channel	8 Ch	16 Ch
	Supported Brands	STL, ONVIF	
Recording Speed	CIF	240 (30FPS/CH)	240 (30FPS/CH)
	D1	240 (30FPS/CH)	240 (30FPS/CH)
	720P	120 (15FPS/CH)	120 (15FPS/CH)
	1080P	80 (10FPS/CH)	80 (10FPS/CH)
Recording Feature	Resolution	CIF, D1, 720p, 1080p	
	Bit Rate (Total)	40Mbps	80Mbps
	Mode	Manual, Continuous, Alarm, Motion, Scheduled Recording	
Local Display		N/A	
Local Playback		N/A	
Network Function	Protocol	IPV4, ARP, TCP, UDP, ICMP,DHCP,NTP,DNS,DDNS,SMTP, FTP,HTTP,UPnP,RTP,RTCP,RTSP, PPPoE, 3GPP, NFS (access to NAS), ONViF	
	PTZ Control	Same as KE-Series (with Digital Zoom)	
	Transmission	Unicast Transmission	
Remote Management	Software	CMS, Mac-Viewer, MMS	
	Browser	Java Based Web Application (Support Any Web Browser: IE, Mozilla, Firefox, Safari, ...)	
	General Function	Live & Playback & Configuration & Others : Same as KE-Series	
Hard Disk	HDD Bay	2 x 3.5" SATA II/III	
	Each HDD	Up to 3 TB	
	RAID Setting	RAID 0 & 1 (Mirror)	
Case	Base Case	FM-i2(New FM) & MC-C (Existing Chassis)	
	Dimension	WxDxH : 270x71x215 mm	
	HDD Bay	2 x SATA II/III (Each 3 TB)	
Front Panel	LED	5 x LEDs (Power, Staus, Record, Network, NAS)	
	Power Switch	Power-On/Off	
Rear Connector	Power Connector	12V D/C	
	Network Port	2 x Gigabit, RJ-45	
	Digital I/O	4 x Input & 1 x Output	
	USB	1 x USB : For Backup (Support Flash Disk)	
	e-SATA Port	N/A	
	Reset Button	System Reset	
Power		12V D/C	
Certification		CE, FCC, MIC, RoHS	

*Specification & Design are subject to change without prior notice

Features

- Embedded H.264 HD NVR based on Java
- Convenient and easy remote connection through various web browser
- Complies with Onvif and supports Megapixel cameras
- Up to 16 IP cameras recording
- Recording on internal HDD or NAS (SMB, iSCSI) through dual Gigabit LAN
- Smart phone emergency alarm

Demension



Clebo PM Megapixel



Experience clarity on a whole new level with Clebo PM cameras.



About

Integrated with HD CCTV technology as well as IP, Clebo PM Megapixel cameras run fast, clear data streams through existing coaxial lines. Plug-and-play resolution upgrade, true HDTV live view, real PTZ control (no delay) and not packetable latency issues makes Trium's PM line a clear, reliable security upgrade.

Specification

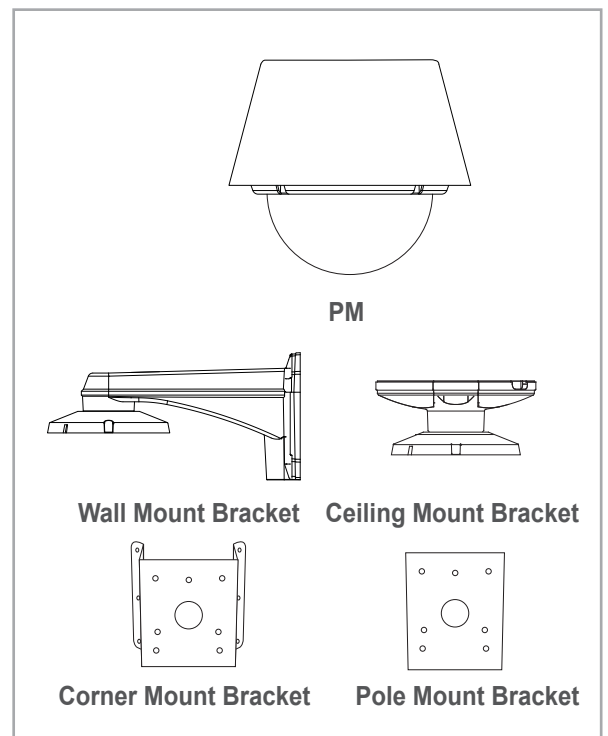
	Clebo PM-10HT	Clebo PM-20S
General		
Image Device (CCD)	1/3" Solid State Progressive Scan CCD	1/3" CMOS sensor
Effective Pixels	≈ 1.3M Pixel [1296(H) x 966(V)]	≈ 2M Pixel [1920(H) x 1080(V)]
S/N Ratio	28 dB (IRcf Off)	More 50 Db
Zoom	18x Optical Zoom	20x optical zoom & 12x Digital Zoom
Zoom speed	3.5 sec (Wide to Tele)	1.6 sec (Wide to Tele)
Angel of view	55.2°(Wide) ~ 3.2°(Tele)	55.4°(Wide) ~ 2.9°(Tele)
Focal length	F=1.6~2.8 / f=4.7~84.6mm	F=1.6~3.5 / f=4.7~94mm
Min. illumination	"0.5 Lux (Color) / 0.02 Lux (B/W) @ 50 IRE & F1.6 & 1/4s & 28dB"	"0.5 Lux (Color) / 0.095 Lux (B/W) @ 50 IRE & F1.6 & 1/30s & 50dB"
Day & Night (ICR)	Auto / Manual	Auto / Manual
Focus Range	∞~ 0.01m(Wide), 1m(Tele)	10 mm (Wide), 800 mm(Tele)
Iris	Auto / Manual (F1.6 ~ F34)	Auto / Manual (F1.6 ~ F14, Close)
Shutter Speed	Auto / Manual (1/4 ~ 1/10,000sec)	Auto / Manual(1/1 to 1/10000sec)
AGC	Auto / Manual (0 ~ 30dB)	Auto / Manual (-3~28dB)
White Balance	Auto / Manual	Auto / Manual (Red, Blue Gain Adjustable)
BLC	Auto / Manual, 256 Levels	On / Off
WDR	On / Off	On / Off /Auto
Picture Freeze	-	On / Off
Noise Reduction	-	Off, 5 Levels
Privacy Mark	8 Marks (Spherical Coordinate)	24 Marks (Spherical Coordinate)
Video		
Standards	Main Stream : H.264HP/MPEG4SP/MJPEG, Secondary Stream : H.264HP / MPEG4SP	
Output	1 BNC (HD-SDI)	1 BNC (HD-SDI)
Resolution	1280x720 ~ 192 x 144	1920 x1080 ~ 320x176
Frame Rate	1 ~ 30 fps	
Bit Rate	30 Kbps ~ 8 Mbps	300kbps ~ 8 Mbps
Audio		
Algorithm	G.711	
In&Out /Sample Rate	1 ' Line - In, 1 ' Line - Out /G.711 : 8 KHz	
Network		
Interface	Ethernet 10/100 Base-T (RJ-45)	
Pan/Tilt		
Travel Range	Pan : 360°(Endless), Tilt : 180°	
Speed	Preset:360°/sec / Jog:0.05 ~ 360°/sec (Proportional to Zoom) / Swing: 1.41° ~ 180°/sec	
Preset	99 Presets	
Others	Pattern:4 Patterns (760 command/Pattern) /Swing:8 Swing / Group:8 Groups (20 Actions/Group)	
Communication		
Type/PTZ Protocol	RS-485 / Pelco-D, Pelco-P Selectable	
Sensor/ Alarm		
Sensor/Alarm	3 Inputs, Photo-Coupler Input / 1 Relay Outputs, Max Load : DC24V 1A / AC125V 0.5A	
IP Reset Button	Yes	
Physical		
Mount Accessory	Wall Mount or Ceiling Mount, Sun-shield	
Dimension	Dome:ø150mm / 5.9"	
Weight	Wall:Approx 3.8 Kg / CeilingA:prox 3.2 Kg	
Material	Dome:Polycarbonate / Internal:Polycarbonate, ABS / External:Aluminum	
Rated Power	DC12V, 3A (36W)	
Waterproof	IP 67	
Fan/Heater	Fan: Always ON / Heater: Operation start from Internal Temperature 10°C	
Operation Temperature	-30°C ~ 60°C / -22°F ~ 140°F	

*Specification & Design are subject to change without prior notice

Features

- 18X Optical Zoom(PM-10HT)
- Supports HDTV 720p -1280 x 720p(PM-10HT)
- 20X Optical Zoom/12X Digital Zoom(PM-20S)
- Supports Full HDTV1080p-1920 x 1080p(PM-20S)
- Supports IP & HD CCTV
- ONVIF Compliance
- Dual-Streaming Technology
- No Latency or Delay Issues
- True HDTV Live View
- Compact design for indoor & outdoor
- Auto Flip, Auto Parking, Power-up Action
- Day & Night Control (IR Cut Filter)
- Micro stepping control technology
- Programmable Features
- Preset, Swing, Pattern & Group tour

Demension



Clebo Mini Speed Dome

The world's premium network ready H.264 PTZ mini speed dome value on the market.



About

Clebo MT/QT series mini speed dome cameras are professional level, feature-rich indoor/outdoor cameras. Extremely versatile and network capable, these cameras offer remote configuration via the web or with Win4net management suite (NxMS). Amazingly crisp resolution and lighting fast rotational vector drive technology makes these cameras perfect for installations that require flexible fields of view and motion tracking applications.

A rugged, reliable camera line to improve any surveillance system.

Specification

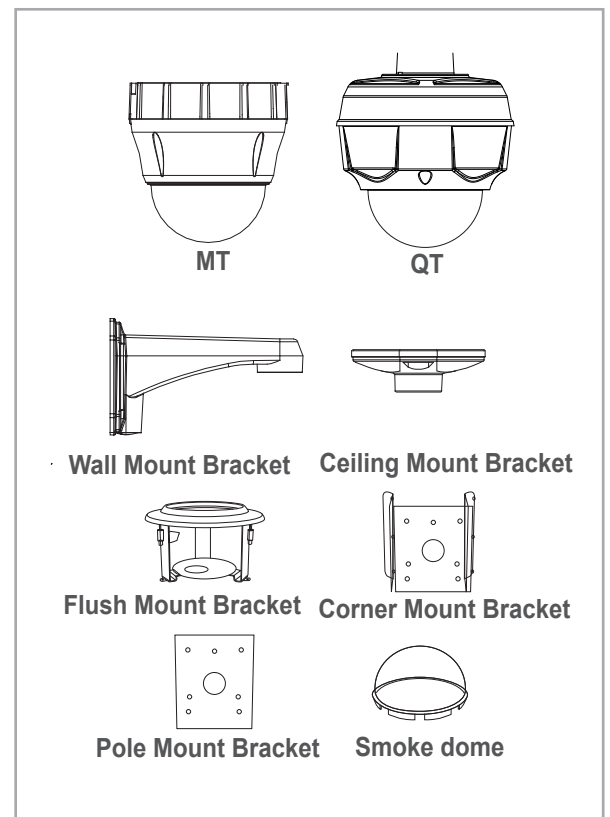
	MTon-10TP/TN(Indoor)	QTon-10TP/TN(Outdoor)
General		
Image Device (CCD)	1/4" Interline Transfer CCD	
Effective Pixels	NTSC: 768(H)x494(V) 380K / PAL: 752(H)x582(V) 440K	
S/N Ratio	50 dB (AGC Off)	
Zoom	x10 Optical Zoom, x10 Digital Zoom	
Focal length	F1.8, f=3.8~38mm	
Min. illumination	0.7 Lux (Color) / 0.02 Lux (B/W), 50 IRE 0.7 Lux (Color) / 0.02 Lux (B/W), 50 IRE	
Day & Night	Auto / Day / Night(IRC)	
Focus Range	Auto / Manual / Semi-Auto	
Iris	Auto / Manual	
Shutter Speed	x128 ~ 1/120000sec	x256 ~ 1/120000 sec
AGC	Normal / High / Off	Low / Middle / High / Manual / Off
White Balance	Auto / Manual(Red, Blue Gain Adjustable)	
BLC	Low / Middle / High / Off	
Flickerless	Selectable	
Noise Reduction	Low / Middle / High / Off	
Privacy Mark	4 Zones	
H.Resolution	500TV Line (Color) / 570 TV line (BW)	
Pan/Tilt		
Travel Range	Pan : 360°(Endless), Tilt : 180° (Auto-flip), 90° (Normal)	
Speed	Preset	360°/sec
	Jog	0.05 ~ 360°/sec (Proportional to Zoom)
	Swing	1~180°/sec
Preset	127 Presets	
Pattern	4 Patterns (1200 command/Pattern)	
Swing	8 Swings	
Group	8 Groups (20 Actions/Group)	
Communication		
Type	RS-485	
PTZ Protocol	Pelco-D, Pelco-P Selectable	
Sensor/ Alarm		
Sensor	4 Zones	
Physical		
Dimension	ø115 mm / 4.5"	
Weight	Wall	Approx. 2.1Kgs
	Ceiling	Approx. 1.5Kgs
Material	Aluminum	
Rated Power	DC12V, 0.8A	DC12V, 3A
Waterproof	-	IP67
Fan	-	Always ON
Heater	-	Operation start from Internal Temperature 10°C
Operation Temperature	0°C ~ 40°C / 32°F ~ 104°F	-10°C ~ 50°C / 14°F ~ 122°F

*Specification & Design are subject to change without prior notice

Features

- Enhanced H.264 Compression
- Smooth 360°/sec. Speed Dome
- 10X Optical and 10X Digital
- Dual-Streaming Technology
- Indoor/Outdoor Models
- Precision PTZ Motion
- Vandal Resistant Dome
- Day/Night Capable (IR Cut Filter)
- Fast and accurate PTZ vector drive technology.
- Finally, a camera for just about any location and any season.
- Precision engineered to be flexible and tamper-resistant.

Dimension



Clebo ET Speed Dome



Trium's premium IP speed dome cameras deliver amazing detail, quality and reliability.



About

Clebo ET series are professional level, fully functional Outdoor Speed Dome cameras. These network capable cameras allow for remote viewing of channels via the web or through Win4net management suite (NxMS), making multi-site monitoring easy and fully customizable. The Clebo ET series is a professional network capable camera that will enhance any surveillance system.

Specification

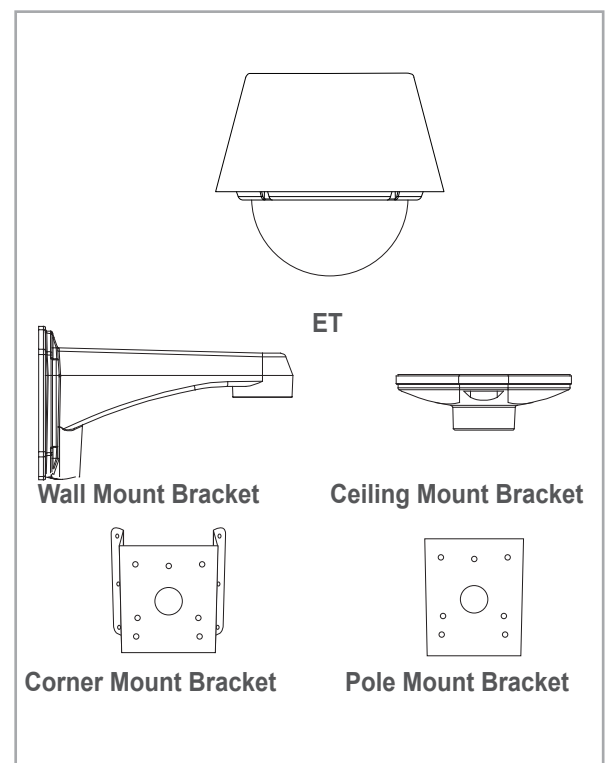
	Clebo ETon-33TP/T (Outdoor IP)	Clebo ETon-37TP/TN (Outdoor IP)
General		
Image Device (CCD)	1/4" Double Density Interline Transfer CCD	
Effective Pixels	380K Pixel [768(H) x 494(V)]	
S/N Ratio	50dB (AGC off)	
Zoom	33x optical & 12x Digital Zoom	37x optical & 12x Digital Zoom
Zoom speed	2.5sec.(Wide to Tele)	
Angel of view	H:55.5°(Wide) ~ 1.59°(Tele) / V:42.5°(Wide) ~ 1.19°(Tele)	
Focal length	F1.6, f=3.5~129.5mm	
Min. illumination	0.7Lux(Color) / 0.06Lux(B/W) / 50IRE, F1.6	
Day & Night (ICR)	Auto / Day / Night (IR Cut Filter)	
Focus Range	Auto / Manual / Semi-Auto	
Iris	Auto / Manual	
Shutter Speed	x256 ~ 1/120000sec	
AGC	Low / Middle / High / Manual / Off	
White Balance	Auto / Manual (Red, Blue Gain Adjustable)	
BLC	Low / Middle / High / Off	
WDR	Optional	
Privacy Mark	8 Marks (Spherical Coordinate)	
Video		
Standards	Main Stream : H.264HP/MPEG4SP/MJPEG, Secondary Stream : H.264HP / MPEG4SP	
Output	1 BNC (CVBS)	
Resolution	704x480/30fps, 704x240/30fps, 352x240/30fps	
Frame Rate	1 ~ 30 fps	
Bit Rate	30Kbps ~ 4Mbps	
Audio		
Algorithm	G.711	
Input/Output	1 Line - In / 1 Line - Out	
Sample Rate	G.711 : 8 KHz	
Network		
Interface	Ethernet 10/100 Base-T (RJ-45)	
Pan/Tilt		
Travel Range	Pan : 360°(Endless), Tilt : 180°	
Speed	Preset: 360°/sec / Jog: 0.05 ~ 360°/sec (Proportional to Zoom) / Swing: 1° ~ 180°/sec	
Preset	127 Presets	
Others	Pattern: 4 Patterns (1200 command/Pattern) / Swing: 8 Swings / Group: 8 Groups (20 Actions/Group)	
Communication		
Type/PTZ Protocol	RS-485 / Pelco-D, Pelco-P Selectable	
Sensor/ Alarm		
Sensor/Alarm	3 Inputs, Photo-Coupler Input / 1 Relay Outputs, Max Load : DC24V 1A / AC125V 0.5A	
IP Reset Button	Yes	
Physical		
Mount Accessory	Wall Mount or Ceiling Mount, Sun-shield	
Dimension	ø150mm / 5.9"	
Weight	Wall: Approx 3.8 Kg / Ceiling: Approx 3.2 Kg	
Material	Dome: Polycarbonate / Internal: Polycarbonate, ABS / External: Aluminum	
Rated Power	DC12V, 3A	
Waterproof	IP 67	
Fan/Heater	Fan: Always ON / Heater: Operation start from Internal Temperature 10°C	
Operation Temperature	-10°C ~ 50°C / 14°F ~ 122°F	

*Specification & Design are subject to change without prior notice

Features

- Premium H.264 Compression (D1)
- Smooth 360°/sec speed dome
- 33X/37X Optical Zoom
- No latency or Delay issue
- Dual-streaming Technology
- Indoor/Outdoor model
- Precision PTZ Motion
- Vandal Resistant Dome
- Day/ Night Capable (IR Cut Filter)
- Fast and accurate PTZ vector drive technology.
- Precision engineered to be flexible and tamper-resistant.
- Dual streaming technology eases multi-platform support.

Demension



Clebo MD20/ MD20IR

Compact, but Competent FULL HD Dome IP Camera



About

Clebo MD20 series mini speed dome cameras are professional level, feature-rich indoor cameras. Extremely versatile and network capable, these cameras offer remote configuration via the web or with Win4net management suite (NxMS). Amazingly crisp resolution and lighting fast rotational vector drive technology makes these cameras perfect for installations that require flexible fields of view and motion tracking applications.

A rugged, reliable camera line to improve any surveillance system.

Features

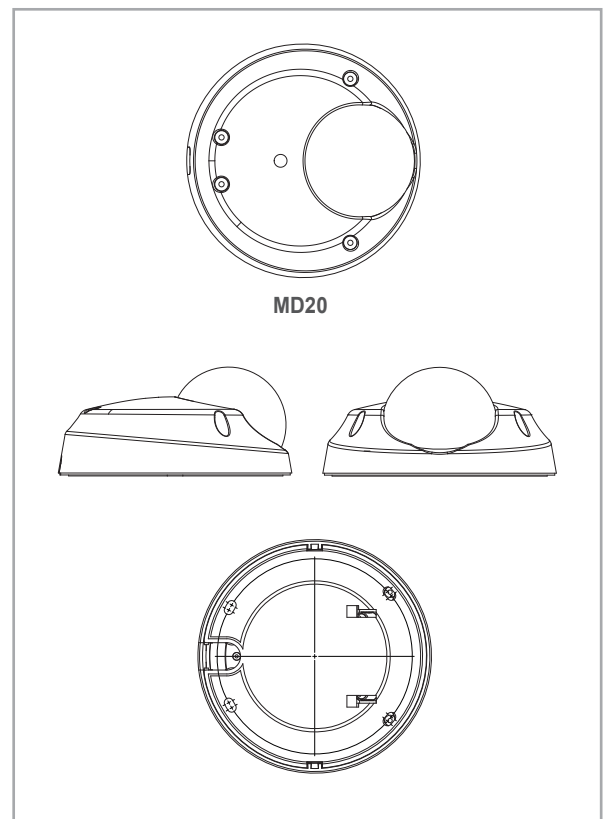
- Rugged and Compact Design
- 1/2.7" CMOS Sensor
- Highest Resolution 2Megapixels
- Triple Codec H.264, MPEG4, MJPEG
- Programmable Privacy Zone
- ONVIF Support (V1.02)
- Dual streaming
- Power over Ethernet
- 30fps@1080P H.264/MJPEG Dual Stream
- True Day & Night (MD20IR Only)
- 15 IR LEDs (MD20IR Only)
- Easy Installation (PoE)

Specification

		Clebo MD20
Camera		
Image	Device	1 / 2.7" COMS Sensor
	Pixel~Total	2016(H) X1108(V)
Min. Scene Illumination	Color	F1.6, 30IRE: 0.8 Lux
	B/W	F1.6, 30IRE: 0.01 Lux
Function	3D-DNR	Available
	Privacy Zone	Available
	Day/Night	Auto, Color, B/W (MD20 IR Only)
Resolutions	Color	1920(H) X1080(V)
	B/W	1920(H) X1080(V)
Lens	Focal Length	4.3mm Fixed
Video		
Video	Main Monitor	LVDS Out (16 BIT Y,Cb, Cr Digital, BT-1120)
	Sub Monitor	CVBS Analog
	Compression Type	H.264, MPEG4, MJPEG
	Frame Rate	30fps at All Resolutions
Communication		
Network	LAN	802.3 Compliance
	Protocol	TCP/IP, HTTP, DHCP, PPPoE, ICMP, ARP, RARP, RTSP, NTP, UDP
	PoE	802.3af Compliance
	Streaming	Dual-Stream at Different Rates and Resolutions
Physical		
Port & I/O	RS232	Consol
	Configuration	Reset Switch, Configuration Clear Switch
Power	Requirement	DC 12V, PoE
	Consumtion	4.8W, 400mA
Environmental Conditions	Operating Temperature	-10 ~-55
	Storage Temperature	-20
	Operating Humidity	Under 90% (Non- Condensing)
Physical Specifications	Dimensions	120 X 55.7mm, 4.72 X 2.19 in
	Weght	0.65 lb
	Certifications	CE, FCC, RoHS, IP66
LED		15 IR LEDs (MD20 IR Only)

*Specification & Design are subject to change without prior notice

Demension



Clebo FD20



Compact, but Competent FULL HD Dome IP Camera



About

Clebo FD series mini speed dome cameras are professional level, feature-rich indoor/outdoor cameras. Amazingly crisp resolution and lighting fast rotational vector drive technology makes these cameras perfect for installations that require flexible fields of view and motion tracking applications.

Features

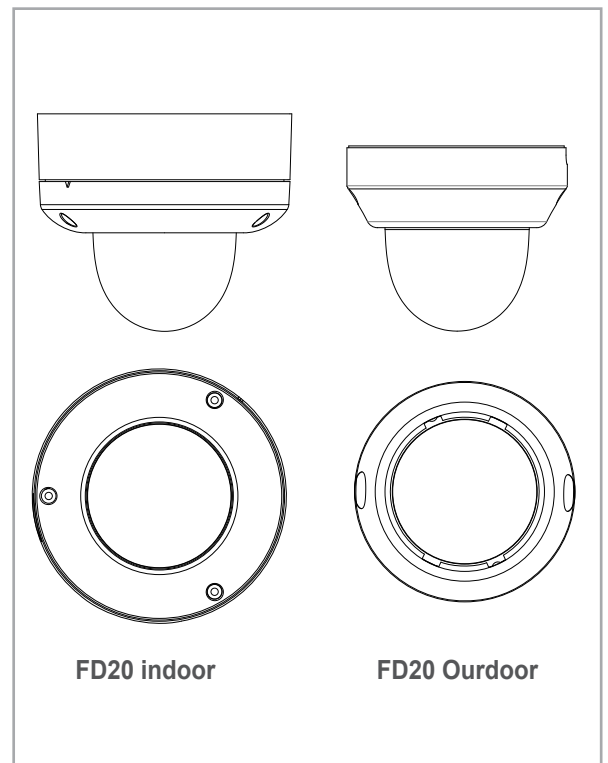
- TI DM368 400MHz ARM926EJ-S
- 64MByte NAND Flash
- Highest Resolution
- Triple Codec H.264, MPEG4, MJPEG
- Programmable Privacy Zone
- ONVIF Support (V1.02)
- Dual streaming
- Power over Ethernet
- 30fps@1080P H.264/MJPEG
- Micro SD Memory
- Easy Installation (PoE)

Specification

Clebo FD20i	
General	
CPU	TI DM368 400MHz ARM926EJ-S
Flash Memory	64MByte NAND Flash
Main Memory	256MByte DDR2
Video	
Compression Type	H.264, MPEG4, MJPEG
Video Encoding	30Fps @ H.264 HP 1080P Single
Frame Rate	30Fps @ H.264 720P + 30Fps @ H.264 960 x544
(Dual Stream)	30Fps @ H.264 960 x544 X 2, 30Fps @ H.264 800 x488 X 2 30Fps @ H.264 704 x400 X 2, 30Fps @ H.264 640 x352 X 2 30Fps @ H.264 480 x272 X 2, 30Fps @ H.264 960 x720 X 2 30Fps @ H.264 800 x608 X 2, 30Fps @ H.264 704 x528 X 2 30Fps @ H.264 640 x480 X 2, 30Fps @ H.264 480 x368 X 2 30Fps @ H.264 320 x240 X 2
Audio	
Input	Mic In / Level Control
Output	Line Out / Level Control
Network	
LAN port	802.3 Compliance 10/100 Lan
Network Protocol	IPv4/v6, HTTP, TCP/IP, ICMP, RTSP, RTP, UDP, Multicast, Broadcast, IGMP, SMTP, FTP, DHCP, PPPoE, UPnP, ARP, DNS, DDNS, SNTP, ONVIF
POE	802.3af Compliance
Port & I/O	
RS232	Consol
Configuration sensor	Reset Switch
Relay	1 PORT
Local Storage	DC24V 1A , AC 125 0.5A, 1PORT
Additional Function	Micro SD Memory
Viewing Software	Viewing & management using Web browser
Recoding Software	Viewing, recording & management using remote software
Management Software	multi-unit, multi-channel Viewing, recording & management
Physical	
Power Usage	IR LED OFF == DC 12V 600mA, IR LED ON == DC 12V 720mA
Operating Temperature	0oC ~ 50oC ambient temperature

*Specification & Design are subject to change without prior notice

Demension



Speed Dome Megapixel

D1 IP Speed Dome Camera



About

Clebo MT/QT series mini speed dome cameras are professional level, feature-rich indoor/outdoor cameras. Extremely versatile and network capable, these cameras offer remote configuration via the web or with Win4net management suite (NxMS). Amazingly crisp resolution and lighting fast rotational vector drive technology makes these cameras perfect for installations that require flexible fields of view and motion tracking applications.

Specification

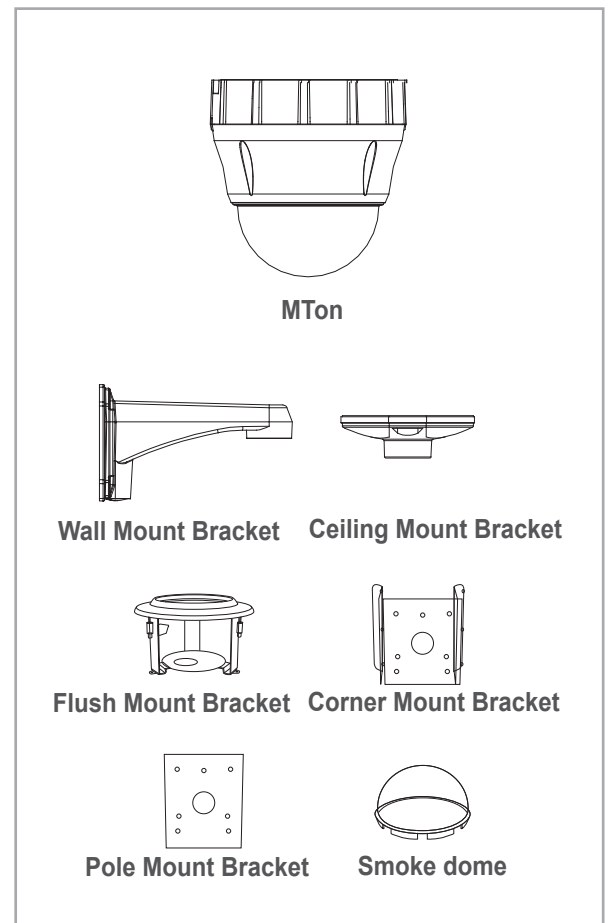
Clebo MTon-10TP/TN	
General	
Image Device (CCD)	1/4" Interline Transfer CCD
Effective Pixels	380K Pixel [768(H) x 494(V)]
S/N Ratio	50dB (AGC off)
Zoom	10x optical & 10x Digital Zoom
Focal length	F1.8, f=3.8~38mm
Min. illumination	"0.7Lux(Color) / 0.02Lux(B/W), 50IRE"
Day & Night (ICR)	Auto / Day / Night (IR Cut Filter)
Focus Range	Auto / Manual / Semi-Auto
Iris	Auto / Manual
Shutter Speed	x128 ~ 1/120000sec
AGC	Normal / High / Off
White Balance	Auto / Manual (Red, Blue Gain Adjustable)
BLC	Low / Middle / High / Off
Privacy Mark	4 Marks (Spherical Coordinate)
Video	
Standards	Main Stream : H.264HP/MPEG4SP/MJPEG, Secondary Stream : H.264HP / MPEG4SP
Output	1 BNC (CVBS)
Resolution	704x480/30fps, 704x240/30fps, 352x240/30fps
Frame Rate	1 ~ 30 fps
Bit Rate	30Kbps ~ 4Mbps
Audio	
Algorithm	G.711
Input/Output	1 Line - In / 1 Line - Out
Sample Rate	G.711 : 8 KHz
Network	
Interface	Ethernet 10/100 Base-T (RJ-45) /
Protocol	TCP/IP, UDP, Multicast, DHCP, SMTP,HTTP, RTP, RTSP , ONVIF V1.02
Pan/Tilt	
Travel Range	Pan : 360°(Endless), Tilt : 180°
Speed	Preset: 360°/sec / Jog: 0.05 ~ 360°/sec (Proportional to Zoom) / Swing: 1° ~ 180°/sec
Preset	127 Presets
Pattern	4 Patterns (1200 command/Pattern)
Swing	8 Swings
Group	Groups (20 Actions/Group)
Communication	
Type	RS-485
PTZ Protocol	Pelco-D, Pelco-P Selectable
Sensor/ Alarm	
Sensor	3 Inputs, Photo-Coupler Input
IP Reset Button	Yes
Physical	
Mount Accessory	Wall Mount or Ceiling Mount, Sun-shield
Dimension	ø115 mm / 4.5"
Weight	Wall: Approx 2.1kgs / Ceiling: Approx 1.5kgs
Material	Dome: Polycarbonate
	Internal: Polycarbonate, ABS
	External: Aluminum
Rated Power	DC12V, 0.8A
Operation Temperature	0°C ~ 40°C / 32°F ~ 104°F

*Specification & Design are subject to change without prior notice

Features

- Enhanced H.264 Compression
- Smooth 360°/sec. Speed Dome
- 10X Optical and 10X Digital
- Dual-Streaming Technology
- Indoor/Outdoor Models
- Precision PTZ Motion
- Vandal Resistant Dome
- Day/Night Capable (IR Cut Filter)

Dimension



ED Series

The Most Reliable Premium Entry Level Real Time Series for Everyone



About

ED series is targeted at expanding DVR market. As the market is expanding from Professional to Consumer and into wider sectors, both price and feature oriented products are highly demanded in these days across different market sectors. ED series is designed to fulfill these various aspects of different market sectors. Highly affordable, reliable and usable DVR series to fulfill basic needs of DVR with the most satisfactions.

Specification

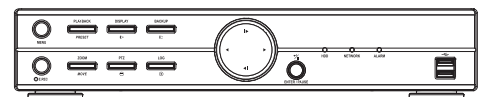
		ED04	ED08	ED16
Video	In	4BNC (without Loop-out)	8BNC (without Loop-out)	16BNC (without Loop-out)
	Out	1 VGA, 1 CVBS (Dual Display)		
Audio	In	4 RCA (Line-In)		8 RCA (Line-In)
	Out	1 RCA (Line-Out)		
Device	Sensor In	4 TTL (3+Emergency)		
	Alarm Out	2 TTL		
I/O Interface		RS232, RS485, USB x 2		
Speed		Real Time		
Display	Resolution	720 x 480 (NTSC), 720 x 576 (PAL)		
	Split Screen	1, 4, PIP, Digital Zoom	1,4,6,9,PIP, Digital Zoom	1,4,6,8,9,13,16,PIP, Digital Zoom
Recording	Compression	H.264 Codec		
	Speed / Resolution	120fps@CIF(NTSC) 100fps@CIF(PAL)	240fps@CIF(NTSC) 200fps@CIF(PAL)	480fps@CIF(NTSC) 400fps@CIF(PAL)
		120fps@Half D1(NTSC) 100fps@Half D1(PAL) 60fps@D1(NTSC) 50fps@D1(PAL)	240fps@Half D1(NTSC) 200fps@Half D1(PAL) 120fps@D1(NTSC) 100fps@D1(PAL)	240fps@Half D1(NTSC) 200fps@Half D1(PAL) 120fps@D1(NTSC) 100fps@D1(PAL)
	Picture Quality	Very High, High, Standard, Low		
Mode	Time-lapse, Event, Time & Event, Emergency (Panic)			
Playback	Display	1, 4, Digital Zoom	1, 4, 6, 9, Digital Zoom	1,4,6,8,9,13,16, Digital Zoom
	Search Mode	Calendar Search, Event Search, Text-In Search, Go to Time		
Playback Mode		Multi Channel Normal & Reverse Play, RW & FF (x2, x4, x8, x16, x32), Frame to Frame, Pause		
Network	Interface	Ethernet (10/100 Base)		
	Protocol	TCP/IP, HTTP, DHCP, ADSL(PPPoE), RTP/RTSP		
	Application	Live, Playback, Setup, Notification (Callback, E-Mail)		
	Web Browse	Internet Explorer 7 or higher		
Mobile Support		iPhone, Android Phone (Real Streaming)		
Storage		2 x SATA HDD		
Backup		External HDD(USB), External USB Memory		
Control		Front Panel Button, USB Mouse, IR Remote Controller, Joystick Controller		
OSD		Graphic User Interface (Multilingual)		
Approval / ROHS		FCC, CE, KCC / ROHS Compliance		
Power Consumption		DC12V, 3.33A (40W)		
Operating Temperature		5°C ~ 40°C / 41°F~104°F		
Operating Humidity		0%~80% / non-condensing		
Dimension		340(W)x67(H)x267(D)mm / 13.39(W)x2.64(H)x10.43(D)inch		
Weight		2Kg / 4.4lbs (without HDD)		

*Specification & Design are subject to change without prior notice

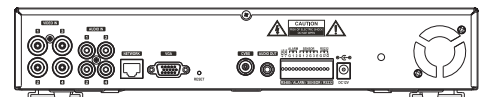
Features

- Independent Dual Display
- Triple Streaming / Digital Zoom
- Advanced User Authority Level
- Max 128ch CMS Client S/W
- POS (Text Insert Function)

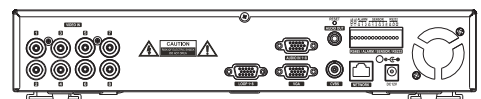
Demension



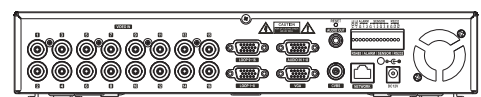
ED Front View



ED04 Rear View



ED08 Rear View



ED16 Rear View

SD Series

Full D1 Real Time Pentaplex DVR



About

The New Full D1 Real Time H.264 DVR is now ready with better speed and image quality you need. Enjoy full D1 real time display on 1920x1080 resolution. It is going to be the perfect solution for any type of security needs due to its full performability. Stay safe within our new SD series' strong and immovable security offers.

Specification

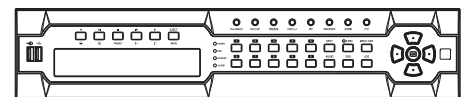
		SD08	SD16
Video	In	8 BNC (with Loop-out)	16 BNC (with Loop-out)
	Out	1HDMI or 1VGA & 1 BNC Main, 4 Spot Output	
Audio	In	8 RCA (8 Line in)	16 RCA(16 Line in)
	Out	1 RCA (Line Out)	
Device	Sensor In	8 TTL	16 TTL
	Alarm Out	4 Relay + 4 TTL	4 Relay + 12 TTL
	I/O Interface	RS232, RS485, USB 2.0 x 2	
Display	Speed	Real Time	
	Resolution	1920 x 1080	
	Split Screen	1, 4, 6, 9, PIP, Digital Zoom, Live + PB	1, 4, 6, 8, 9, 13, 16, PIP, Digital Zoom, Live + PB
Recording	Compression	H.264 Codec	
	Speed / Resolution	240fps@D1(NTSC) 200fps@D1(PAL)	480fps@D1(NTSC) 400fps@D1(PAL)
	Picture Quality	Very High, High, Standard, Low	
	Mode	Time-lapse, Event, Time & Event, Emergency (Panic)	
	Display	1, 4, 6, 9, Digital Zoom	1, 4, 6, 8, 9, 13, 16, Digital Zoom
Playback	Search Mode	Calendar Search, Event Search, Text-In Search, Go to Time	
	Playback Mode	Multi Channel Normal & Reverse Play, RW & FF (x2, x4, x8, x16, x32), Frame to Frame, Pause	
Network	Network Interface	Ethernet (10/100/1000 Base)	
	Protocol	TCP/IP, HTTP, DHCP, PPPoE, RTSP, RTP	
	Application	Live, Playback, Setup, Notification (Callback, E-Mail)	
	Web Browser	Internet Explorer 7 or higher	
Storage	3xSATA HDD & 1xSATA ODD (or max. 4 SATA HDD w/o ODD),E-SATA		
Backup	CD & DVD-RW, External HDD(USB), External USB Memory		
Control	Front Panel Button, Jog-Shuttle, USB Mouse, IR Remote Controller, Joystick Controller		
OSD	Graphic User Interface (Multilingual)		
Approval	FCC, CE, KCC		
ROHS	ROHS Compliance		
Power Consumption	DC12V, 6.67A (80W)		
Operating Temperature	5°C ~ 40°C / 41°F~104°F		
Operating Humidity	0%~80% / non-condensing		
Dimension	430(W) x 88(H) x 428(D)mm / 16.93(W) x 3.5(H) x 16.85(D)inch		
Weight	6Kg / 13lb (without HDD)		

*Specification & Design are subject to change without prior notice

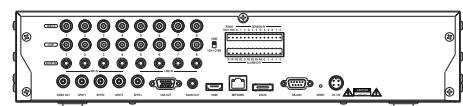
Features

- Full D1 Real Time
- Full HD Output
- Independent Dual Display (PATENTED)
- Internal Mirroring
- Archiving Function to
- Secure High Stability for Recorded Data
- Easy 4:3 Local and Intuitive Remote UI
- Max 128ch CMS Client S/W
- Embedded Linux System with own Dedicated DB
- Two-Way Audio/ Triple Streaming
- 8/16 Audio Input Support
- Full Alarm/Sensors including Relay Sensors
- Advanced User Authority Level
- Full Loop Outs + 4 Spot Outs

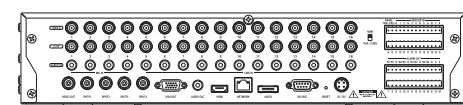
Demension



SD Front View



SD08 Rear View



SD16 Rear View

FD Series

The Most Reliable Premium Entry Level Real Time Series for Everyone



About

FD series is targeted at expanding DVR market. As the market is expanding from Professional to Consumer and into wider sectors, both price and feature oriented products are highly demanded in these days across different market sectors. FD series is designed to fulfill these various aspects of different market sectors. Highly affordable, reliable and usable DVR series to fulfill basic needs of DVR with the most satisfactions.

Specification

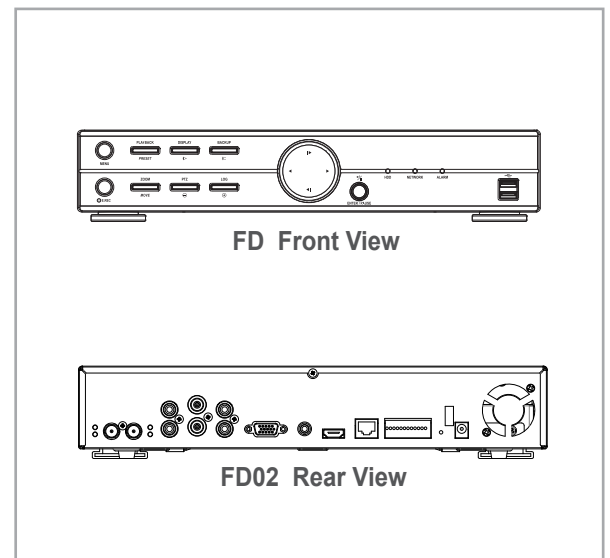
		FD02	FD04
Video	In	2 BNC	4 BNC
	Out	HDMI & VGA	
Audio	In	2 RCA	4 RCA
	Out	2 RCA(SPOT Audio), 1RCA	1RCA
CVBS	Out	2 BNC(SPOT Video)	1 BNC(SPOT Video)
Device	Sensor	3 TTL	4 TTL
	Alarm	2 OC(open collector)	4 OC(open collector)
	Serial	RS232 & RS485	
	USB	2	
Display	Speed	real time	
	Resolution	1920 x 1080	1280 x 720
	Display	1, 4, PIP, Digital Zoom	
	Compression	H.264 & ADPCM	
Recording	Speed /Resolution	"60fps@Full HD(1080p) 60fps@HD(720p)"	"60fps@Full HD(1080p) 60fps@HD(720p)"
	Quality	Very High, High, Standard, Low	
	Mode	Time-lapse, Event, Time & Event, Emergency	
Playback	Display	1, 4, Digital Zoom	
	Search	Calendar, Event, Text-In, Go to Time	
	Playback	"Multi Channel Normal & Reverse Play,RW & FF (x2, x4, x8, x16, x32), Frame to Frame, Pause"	
Network	Interface	Ethernet (10/100/1000 Base)	
	Protocol	TCP/IP, HTTP, DHCP, ADSL(PPPoE), RTP/RTSP	
	Application	Live, Playback, Setup, Notification(Callback, E-Mail)	
	Web	Internet Explorer 7 or higher	
	Mobile	iPhone, Android phone, BlackBerry phone	
Storage		2 SATA HDD	
Backup		External HDD, External Memory	
Control		"Front Panel Button, USB Mouse,IR Remote Controller"	
OSD		Graphical User Interface	
Approval		FCC, CE, KC	
ROHS		ROHS Compliance	
Power Consumption		DC12V, 3.33A (40W)	
Operating Temperature		5°C ~ 40°C / 41°F ~ 104°F	
Operating Humidity		0% ~ 80%	
Dimension		340(W)x67(H)x265(D)mm / 13.39(W)x2.64(H)x10.43(D)inch	
Weight		2Kg / 4.4lb	

*Specification & Design are subject to change without prior notice

Features

- Independent Dual Display
- Triple Streaming / Digital Zoom
- Advanced User Authority Level
- Max 128ch CMS Client SW
- POS (Text Insert Function)

Demension



HDM04/08 Series

Simple Way To Protect What Matters To You Most



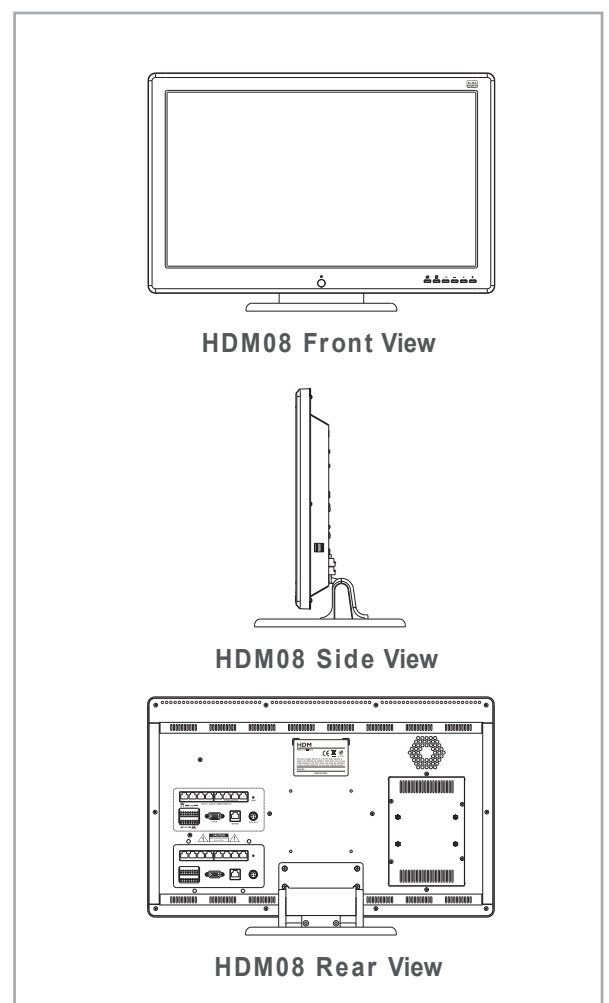
About

Today's most efficient single solution for desk job and security is provided by new HDM All In One DVR series. HDM provides multi functionalities of normal PC monitor and high end video surveillance on single 23" Wide Screen Monitoring system. HDM will maximize the cost and space efficiency for a person who looks for multi systems on single desk. Multi cable connector allows easy installation and does not require additional power sources for multi cameras. HDM series will satisfy every needs of you business with one single solution.

Features

- Independent Dual Display
- Triple Streaming / Digital Zoom
- Advanced User Authority Level
- Max 128ch CMS Client S/W
- POS (Text Insert Function)

Demension



Specification

Model	HDM04	HDM08	
Video	In	4 Ch (RJ-45, without Loop-out)	8 Ch (RJ-45, without Loop-out)
	Aux In	External VGA Input Display	
Audio	Out	Built-in 23inch TFT LCD (16:9)	
	In	4 Ch (RJ-45)	8 Ch (RJ-45)
Power	Out	1 Line-out, Built-in Speaker	
	Sensor In	4 Ch (RJ-45, Camera Power)	8 Ch (RJ-45, Camera Power)
Device	Alarm Out	4TTL	
	I/O Interface	2 Relay + 2 TTL	
Display	Speed	RS-232, RS-485, USB2.0, USB1.1	
	Resolution	Real Time	
Recording	Speed / Resolution	720 x 480 (NTSC), 720x576(PAL)	
	Picture Quality	1, 4, PIP, Digital Zoom	
Playback	Search Mode	1, 4, 9, PIP, Digital Zoom	
	Playback Mode	H.264 Codec	
Network	Network Interface	120fps@CIF(NTSC) / 100fps@CIF(PAL)	
	Protocol	60fps@Half D1(NTSC) / 50fps@Half D1(PAL)	
Storage	Application	30fps@D1(NTSC) / 25fps@D1(PAL)	
	Web Browse	Very High, High, Standard, Low	
Control	OSD	Time-lapse, Event, Time&Event, Mode	
	Approval	1, 4, Digital Zoom	
Power Consumption	Operating Temperature	1, 4, 9, Digital Zoom	
	Operating Humidity	Calendar Search, Event Search, Text-In Search, Go to Time	
Dimension	Weight	Multi Channel Normal & Reverse Play, RW & FF (x2, x4, x8, x16, x32), Frame to Frame, Pause	
	Weight	Ethernet (10/100 Base)	
Weight	Weight	TCP/IP, HTTP, DHCP	
	Weight	Live, Playback, Setup, Notification (Callback, E-Mail)	
Weight	Weight	Internet Explorer 7 or higher	
	Weight	1 x SATA HDD	
Weight	Weight	External ODD, HDD, USB Memory	
	Weight	USB Mouse, IR Remote Controller, Joystick Controller	
Weight	Weight	Graphic User Interface (Multilingual)	
	Weight	FCC, CE, KCC	
Weight	Weight	ROHS Compliance	
	Weight	DC12V, 6.67A (80W)	
Weight	Weight	5°C ~ 40 C / 41°F~104°F	
	Weight	0%~80% / non-condensing	
Weight	Weight	574(W) x 395(H) x 250(D) mm / 22.6(W) x 15.5(H) x 9.84(D) inch	
	Weight	7.7Kg / 17.0lbs (without HDD)	

*Specification & Design are subject to change without prior notice

HDV08P

The Most Rugged Mobile DVR Introduced Ever



About

HDV08P provides the cutting edge of Mobile solutions for any types of mobile transportations. HDV08P was built upon industrial specification that offers the most reliable Mobile solutions ever. Its industrial specification allows with standing any harsh conditions of shock, vibration and temperature. Explore our new Mobile DVR and being protected by the most reliable in-vehicle device.

Specification

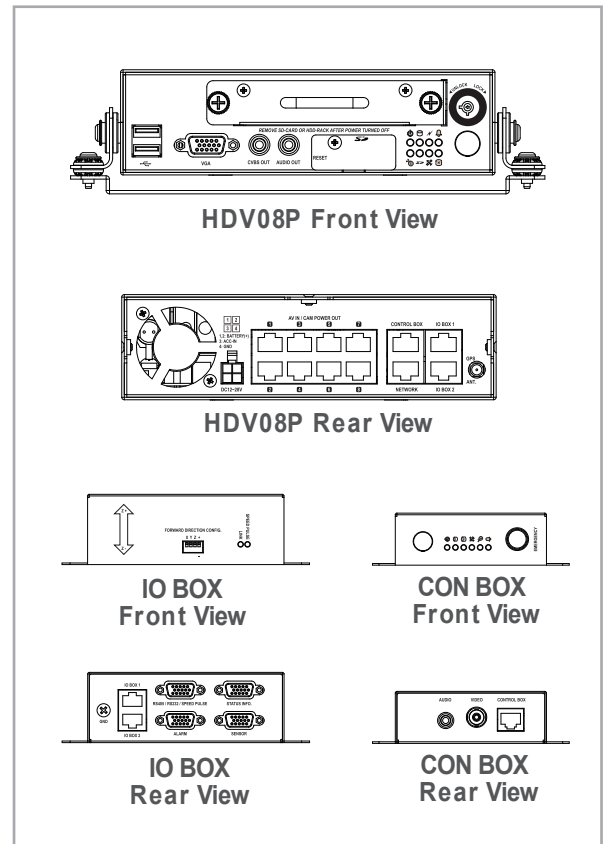
Model		HDV08P
Video	In	RJ-45 to Video, audio and power converter cable(x8) - Video in(x8)
Audio	In	- Audio In(x8)
Camera Power	Out	- Camera power out(x8)
Video	Out(VGA)	Front D-SUB VGA out
	Out(CVBS)	Front RCA CVBS out
Audio	Out(Front)	Front RCA CVBS out
	CVBS Out	
ExternalControlBox	Audio Out	
	Power out	
	RS-232	
		RJ-45 Connector Interface
External I/O box	Sensor In	[I/O Box]
	Alarm Out	Sensor (x8), Alarm (x8), Car state(x8), Car Speed Pulse, RS-232(x2),RS-485(x1), G-sensor
	I/O Interface	Car State: Left, Right, Reverse(Back), Break, Door1, Door2, ETC1(stop), ETC2
Device	Sensor	Integrated Temperature sensor
	GPS	Integrated GPS (External Antenna)
Display	Speed	Real Time, CVBS and VGA dual display
	Resolution	720 x 480 (NTSC), 720 x 576 (PAL), 800 x 600 (VGA)
	Split Screen	1,4,6,9,PIP,Digital Zoom
Recording	Compression	H.264 Codec
	Speed / Resolution	240fps@CIF(NTSC) / 200fps@CIF(PAL)
		120fps@Half D1(NTSC) / 100fps@Half D1(PAL)
		60fps@D1(NTSC) / 50fps@D1(PAL)
Picture Quality	Very High, High, Standard, Low	
Playback	Mode	Time-lapse, Event, Time & Event, Emergency (Panic)
	Display	1,4,6,9, PIP, Digital Zoom
	Search Mode	Calendar Search, Event Search, Text-In Search, Go to Time
Network	Playback Mode	Multi Channel Normal&Reverse Play,RW&FF(x2,x4,x8,x16,x32), Frame to Frame, Pause
	Network Interface	Ethernet (10/100 Base)
	Protocol	TCP/IP, HTTP, DHCP, ADSL(PPPoE), RTP/RTSP
	Application	Live, Playback, Setup, Notification (Callback, E-Mail)E-map, Live tracking
	Web Browse	Internet Explorer 7 or higher
Storage	Mobile Support	iPhone, Android Phone (Real Streaming)
		SATA HDD(x1) or SSD(HDD RACK: Support External Storage function)
Backup		SD Card
		External HDD(USB), External USB Memory
Control		USB Mouse
		IR Remote Controller, Joystick Controller
		Control box
OSD		Graphic User Interface (Multilingual)
Front LED		8 (Power, Network, HDD, Alarm, Record Bad, Shutdown delay, SD, GPS)
Approval		FCC, CE, KCC, E-mark
ROHS		ROHS Compliance
Power Consumption		DC 12 - 30V,Safety Shutdown mode, Input Power Check
Operating Temperature		-20°C ~ 40°C / -4°F~104°FIntegrated Heat circuit
Operating Humidity		0%~80% / non-condensing
Dimension		225.5(W)x59(H)x242(D)mm / 8.8(W)x2.3(H)x9.5(D) inch
Weight		2.1 Kg / 4.62 lbs (without HDD)

*Specification & Design are subject to change without prior notice

Features

- Compact Size For In-Vehicle Installation
- Multi Storage Support – 2.5” Removable HDD, SD and SSD
- Built in GPS For E-Map Application
- Industrial Standard To Stand harsh Temperatures Without Additional Enclosures
- Various And Most UsefuExternal I/O Box For Multi Sensors/Alarms with Drivers control panel(box)
- Built In Power Supply For Cameras(12V)
- Removable Storage for Easy Data and System Management, and dual protection.
- Various Event Detections Using Built-In G-Sensor

Demension



HDV04P

The Most Rugged Mobile DVR Introduced Ever



About

HDV04P provides the cutting edge of Mobile solutions for any types of mobile transportations. HDV04P was built upon industrial specification that offers the most reliable Mobile solutions ever. Its industrial specification allows with standing any harsh conditions of shock, vibration and temperature. Explore our new Mobile DVR and being protected by the most reliable in-vehicle device.

Specification

Model		HDV04P
Video	In	4 Ch
	Out	1 CVBS
Audio	In	4 Mic-in
	Out	1 Line-out
Power	Out	4 for Camera, 1 for Monitor (12V)
	Sensor In	2 TTL
Device	Alarm Out	2 Relay
	I/O Interface	RS-232, RS-485, USB2.0, USB1.1
	GPS	Built-in GPS(External Active Antenna Port)
	G-Sensor	Traffic Accident, Quick Start, Quick Stop
Display	Speed	Real Time
	Resolution	720 x 480 (NTSC), 720 x 576 (PAL)
	Split Screen	1,4,PIP,Digital Zoom
	Compression	H.264 Codec
Recording	Speed / Resolution	120fps@CIF(NTSC) / 100fps@CIF(PAL) 60fps@Half D1(NTSC) / 50fps@Half D1(PAL) 30fps@D1(NTSC) / 25fps@D1(PAL)
	Picture Quality	Very High, High, Standard, Low
	Mode	Time-lapse, Event, Time & Event
Playback	Display	1,4,Digital Zoom
	Search Mode	Calendar Search, Event Search, Text-In Search, Go to Time
	Playback Mode	Multi Channel Normal&Reverse Play,RW&FF(x2,x4,x8,x16,x32), Frame to Frame, Pause
Network	Map	Associated Google Map
	Network Interface	Ethernet (10/100 Base)
	Protocol	TCP/IP, HTTP, DHCP
	Application	Live, Playback, Setup, Notification (Callback, E-Mail)
Storage	Web Browse	Internet Explorer 7 or higher
		Removable Rack (2.5inch SATA HDD or SSD) SD Card
Backup		External ODD, HDD, USB Memory USB Mouse
Control		IR Remote Controller, Joystick Controller
OSD		Graphic User Interface (Multilingual)
Approval		FCC, CE, KCC
ROHS		ROHS Compliance
Power Consumption		DC 12 - 36V,64W
Operating Temperature		-20°C ~ 50°C / -4°F~122°FIntegrated Heat circuit
Operating Humidity		0%~80% / non-condensing
Dimension		218(W)x56(H)x255(D)mm / 8.58(W)x2.2(H)x10(D) inch
Weight		1.33 Kg / 2.93 lbs (without HDD)

*Specification & Design are subject to change without prior notice

Features

- Compact Size For In-Vehicle Installation
- Multi Storage Support – 2.5” Removable HDD, SD and SSD
- Built in GPS For E-Map Application
- Industrial Standard To Stand harsh Temperatures Without Additional Enclosures
- Various And Most UsefuExternal I/Os
- Additional power Supply for Camera And Monitor (12V)
- Anti-Shock And Cibration Tests Upon Military Specification
- Various Event Detections Using Built-In G-Sensor

Demension

